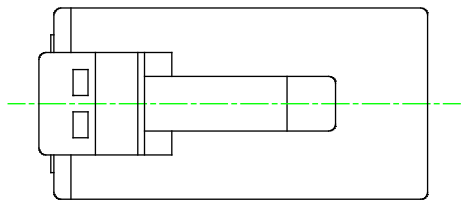
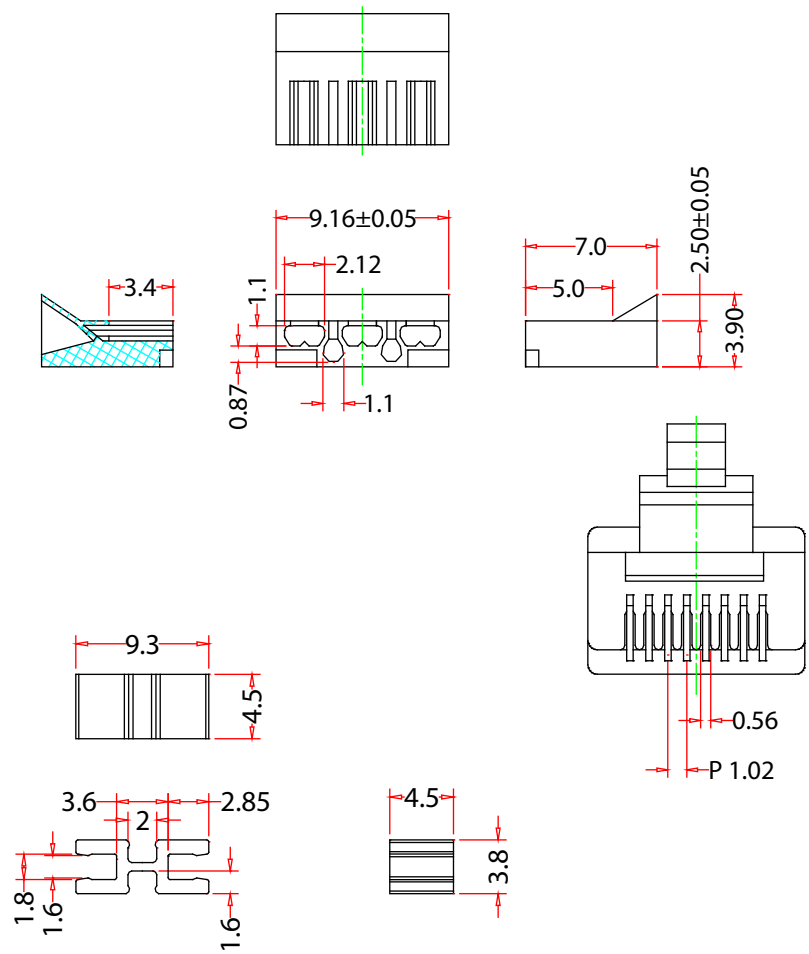
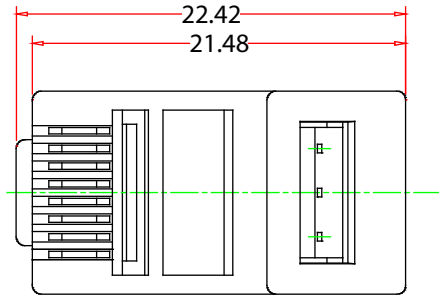
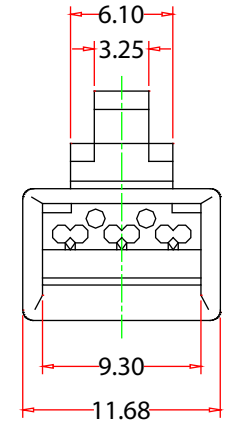
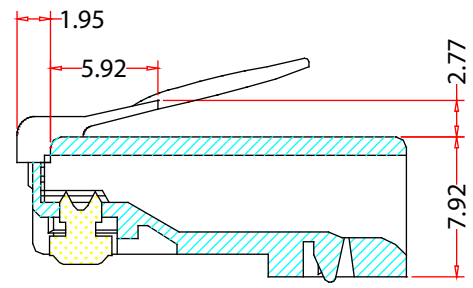


Rev.	Description	Date
A		12-2018



RoHS

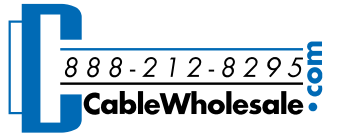


NOTE:
Dimension Tolerance: ± 0.10
Packaging: 100 Pcs Per Bag

Specification

Mechanical

1. Housing Material: Polycarbonate, UL94V-2. No Poison
2. Material Cotact: Brass / Phosphor Bronze
3. Gold Plating: 50u"
4. Housing Color: Transparence
5. Operation Temperature: -40°C to 80°C
6. NO: P8-063 / 1-001-E / 1-006-E

Item Number:	31D0-610HD	
Title:	Cat6a RJ45 Crimp Connectors for Stranded Cable with wire insert guide and spacer bar	
Drawn by:	JL	
Approved by:	MAC	
ID:	108	

1	
No.	Specifications