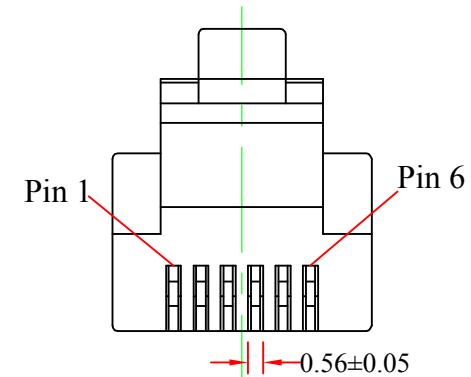
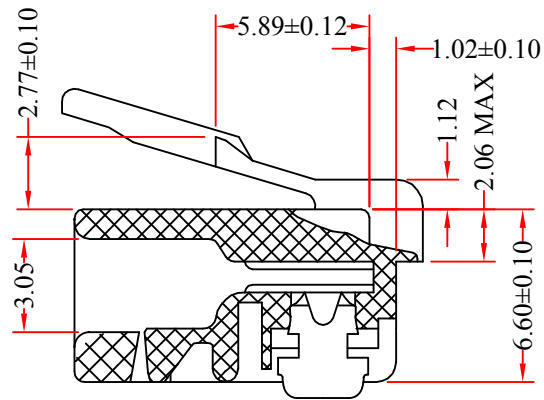
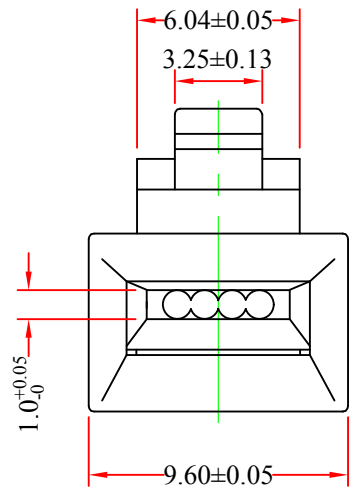
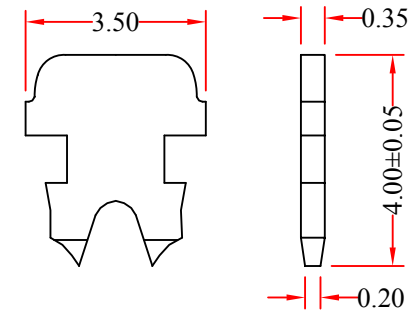
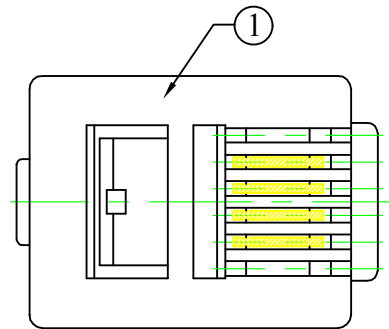


REV.	DESCRIPTION	DATE
A		03-2013



RoHS



Specifications:

- * Housing: Thermoplastic, UL94V-0, GE141
- * Contact: Phosphor bronze
- * Contact finish: 3u inch to 5u inch
- * Current rating: 1.5 amps
- * Voltage rating: 125 VAC
- * Insulation resistance: 100 Mega Ohms
- * Dielectric withstanding voltage: AC1000V50Hz-60HA/min

ITEM NUMBER	31D0-6P4CS			DRAWER	JL
TITLE	Phone / Data RJ11 Crimp Connectors for Stranded Wire, 6P4C, 50 Pieces			CHECKED	
MATERIAL	SCALE			APPROVED	
REV.	A	UNIT	MM		
DRAWING NO:				 888-212-8295.com	

2	
1	RJ11 6P4C Plug
NO.	SPECIFICATIONS
	BOM LIST