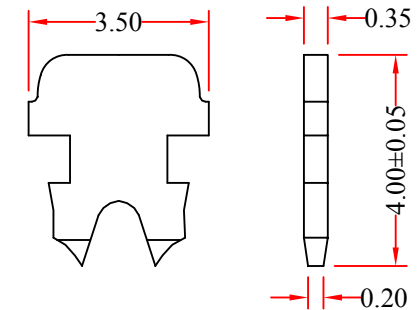
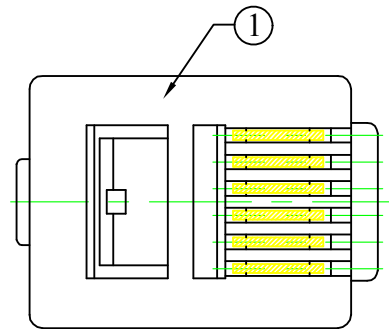
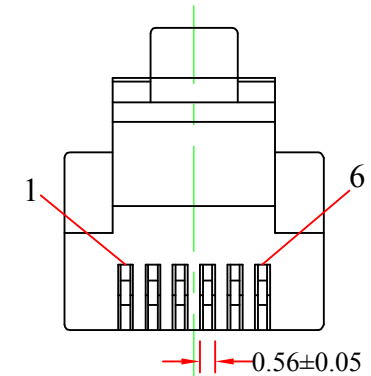
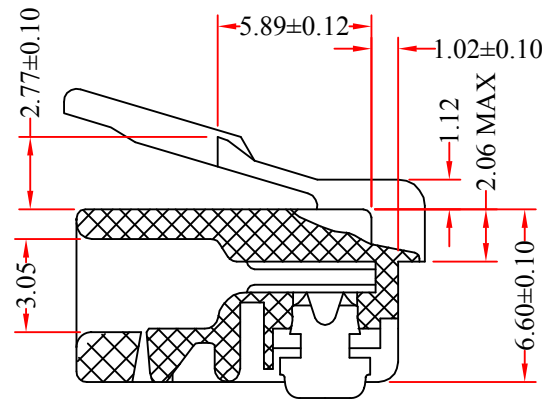
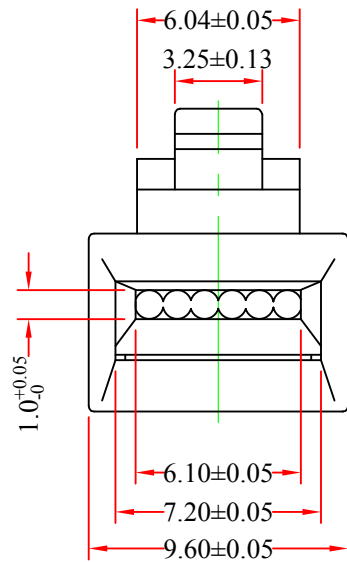


REV.	DESCRIPTION	DATE
A		02-2013



RoHS

Specifications:

- * Housing: Thermoplastic, UL94V-0, GE141
- * Contact: Phosphor bronze
- * Contact finish: 3u inch to 5u inch
- * Current rating: 1.5 amps
- * Voltage rating: 125 VAC
- * Insulation resistance: 100 Mega Ohms
- * Dielectric withstanding voltage: AC1000V50Hz-60HA/min

2	
1	RJ12 6P6C Plug
NO.	SPECIFICATIONS
	BOM LIST

ITEM NUMBER	31D0-6P6CF			DRAWER	JL
TITLE	Phone / Data RJ12 Crimp Connectors for Flat Cable, 6P6C, 50 Pieces			CHECKED	
MATERIAL	SCALE			APPROVED	
REV.	A	UNIT	MM		
DRAWING NO:				 888-212-8295.com	