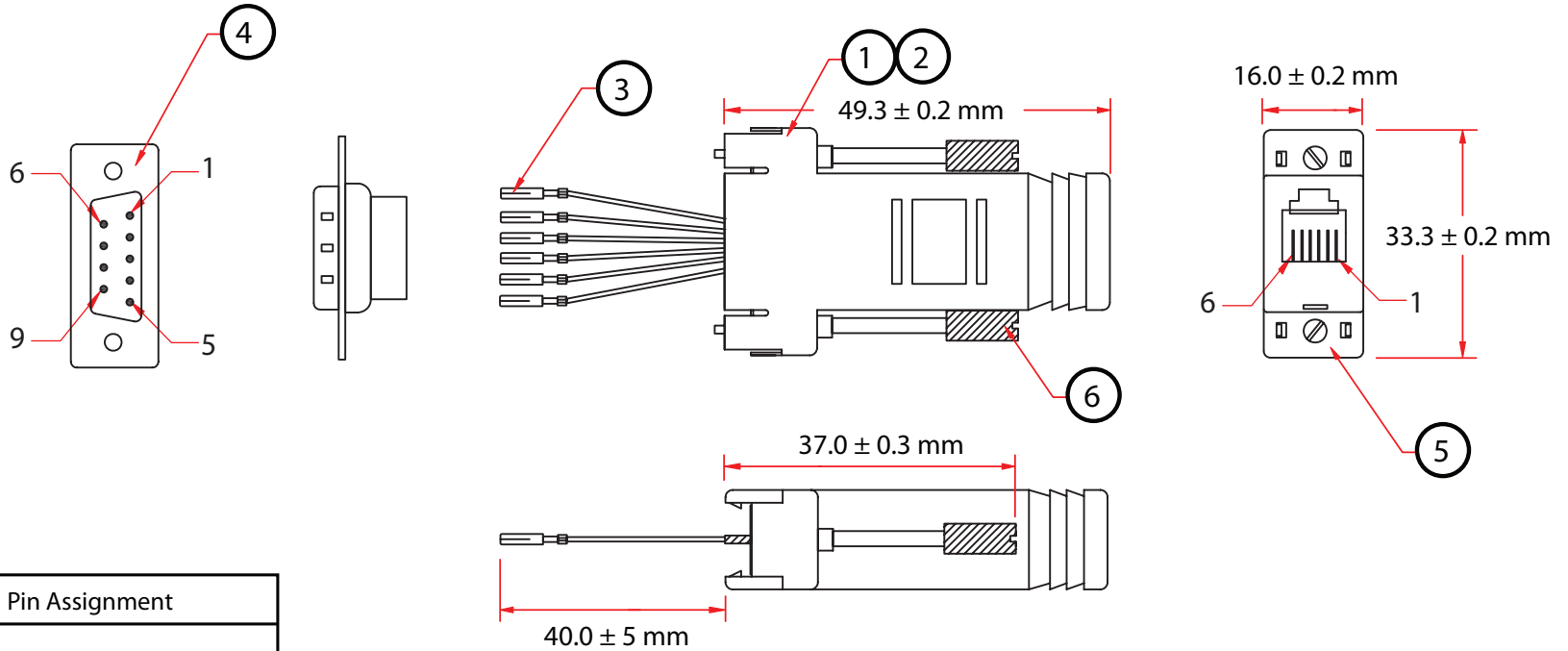


REV.	DESCRIPTION	DATE
A		
B		10-2010



Pin Assignment		
RJ12 6P6C		
1	_____	White
2	_____	Black
3	_____	Red
4	_____	Green
5	_____	Yellow
6	_____	Blue

RoHS

6	5.0*51.0MM Screw #4-40
5	RJ12 Jack Plastic
4	DB9 Male Connector, Black Insulator
3	DB9 Male Terminal
2	DB9 to RJ12 ABS Shell, Color: Gray
1	UL AWM 1061 26AWG Electron Wire
NO.	SPECIFICATIONS
	BOM LIST

ITEM NUMBER	31D1-16200		DRAWER	LIBRA
TITLE	DB9 to RJ12 Modular Adaptor, Color Gray		CHECKED	
MATERIAL	SCALE		APPROVED	
REV.	A	UNIT	INCH	
DRAWING NO:				
			888-212-8295	CableWholesale.com