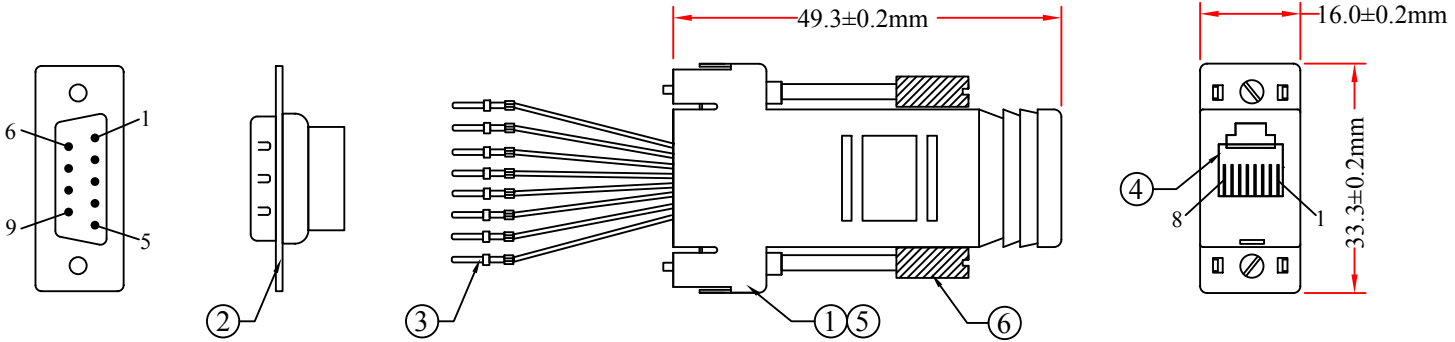
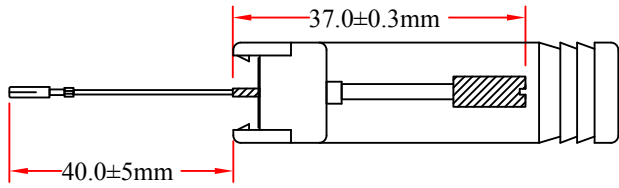


RoHS

REV.	DESCRIPTION	DATE
A		05-2012



Pin Assignment		
8P8C	Open	
1	_____	Blue
2	_____	Orange
3	_____	Black
4	_____	Red
5	_____	Green
6	_____	Yellow
7	_____	Brown
8	_____	White



PART NO.	COLOR
31D1-1720BK	Black
31D1-1720WH	White
31D1-1720GR	Green
31D1-1720YL	Yellow
31D1-17200	Gray

6	Screw #4-40 Ø4.5*37.0mm
5	ABS Cover(DB9P/RJ45)
4	RJ45 8P8C Jack
3	DB9P Male Terminal
2	DB9P Male ,Shell: Nickel Plated, Insulation Black
1	UL1061 26AWG Wire
NO.	SPECIFICATIONS

ITEM NUMBER	31D1-1720xx			DRAWER	JL
TITLE	DB9 Male to RJ45 Adaptor			CHECKED	
MATERIAL		SCALE		APPROVED	
REV.	A	UNIT	INCH		
DRAWING NO:				 888-212-8295.com	

BOM LIST