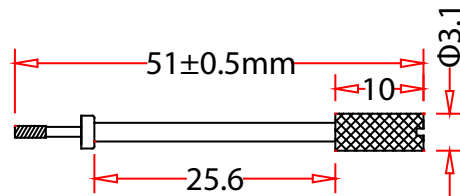
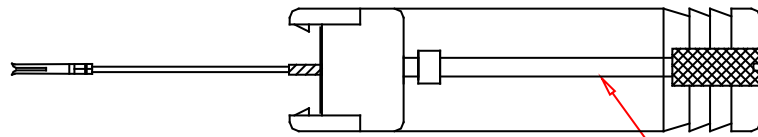
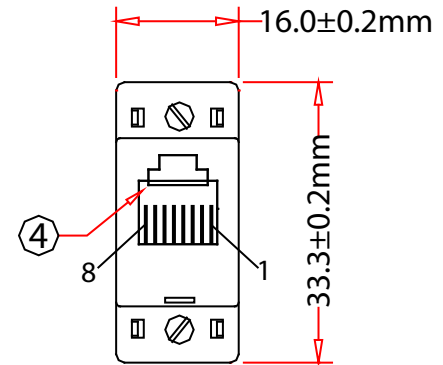
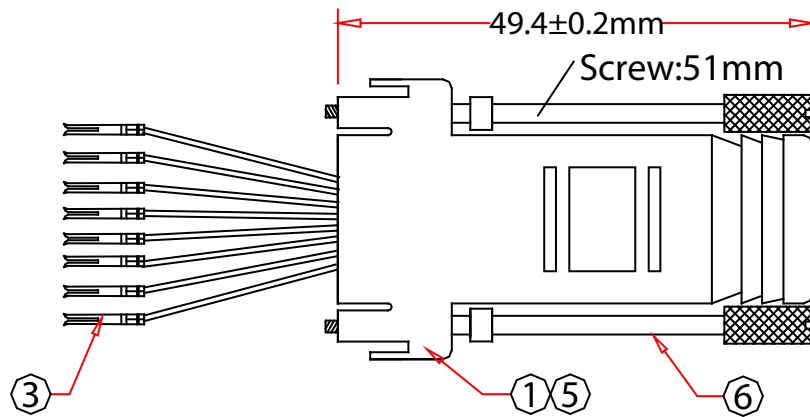
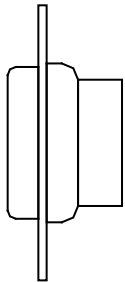
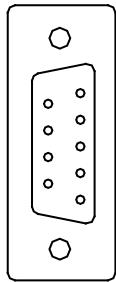


Rev.	Description	Date
A		011-2019



Screw

RoHS

Pin Assignment	
8P8C	Open
1	Blue
2	Orange
3	Black
4	Red
5	Green
6	Yellow
7	Brown
8	White

6	Screw Φ3.1*51.0mm	Item Number:	31D1-1740GR	
5	ABS Cover(DB9P/RJ45), Green		Title:	DB9 Female / RJ45 Female Modular Adaptor, Green
4	RJ45 8P8C Jack, Pin Gold Plating 3u"	Drawn by:		JL
3	DB9P Female Terminal, Gold Flash		Approved by:	MAC
2	DB9P Female ,Shell Nickel Plated, Insulation Black	ID:		19
1	UL1061 26AWG Wire, L=63±1mm( SR-SR)			
No.	Specifications			