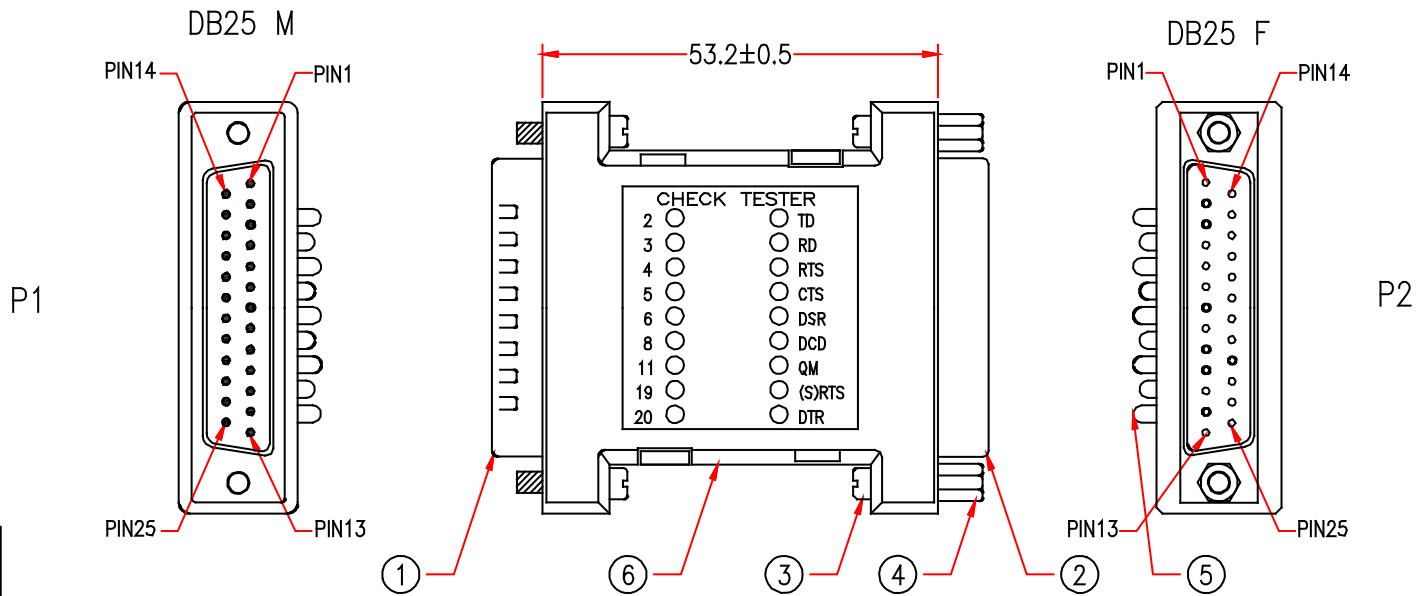
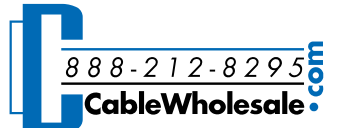


Rev.	Description	Date
A		09-2018



Pin Assignment	
P1	P2
1	1
2	2
} 1:1	
24	24
25	25
SHIELD	SHIELD

RoHS

6	DB25 Pin Metalized Plastic Hood, Resistance: 4.7K 1/8W Ohm 10Pin	Item Number:	31D3-42200
5	LED Color Red & Green, With PCB	Title:	Serial Check Tester With Green and Red LEDs, DB25 Male to DB25 Female
4	Hex-Nut 5*6.6mm	Drawn by:	JL
3	Screw 4*12.5mm, #4-40, Assembly Type	Approved by:	MAC
2	DB25 Female, Gold Flash on Contacts, Blue Insulation	ID:	1
1	DB25 Male, Gold Flash on Contacts, Blue Insulation		
No.	Specifications		