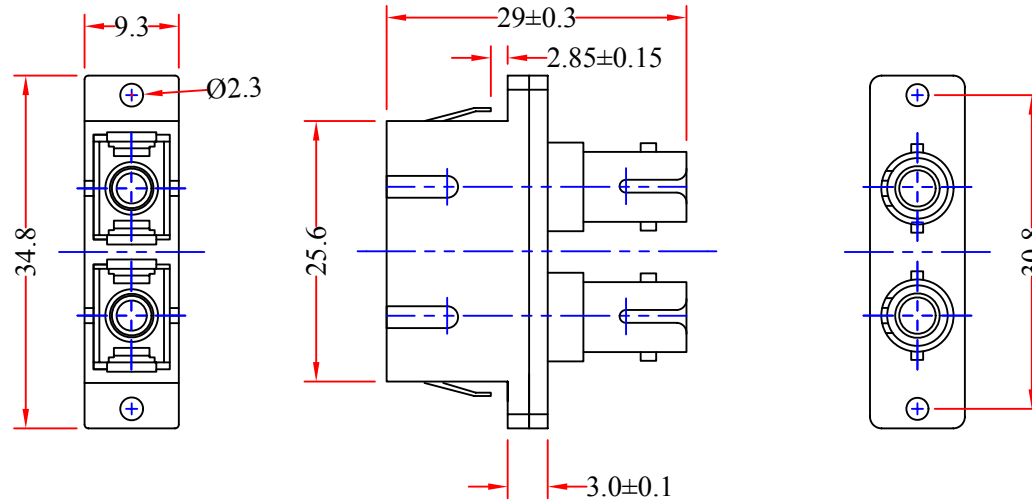
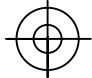
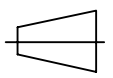


REV.	DESCRIPTION	DATE
A		03-2015



RoHS

ITEM NUMBER	31F1-TC400			DRAWER	JL
TITLE	Fiber Optic Adapter, Duplex, ST Female to SC Female, Plastic Housing			CHECKED	
				APPROVED	
MATERIAL		SCALE		 	
REV.	A	UNIT	MM		

1	
NO.	SPECIFICATIONS
	BOM LIST

DRAWING NO:		
ID (NO.)	108	