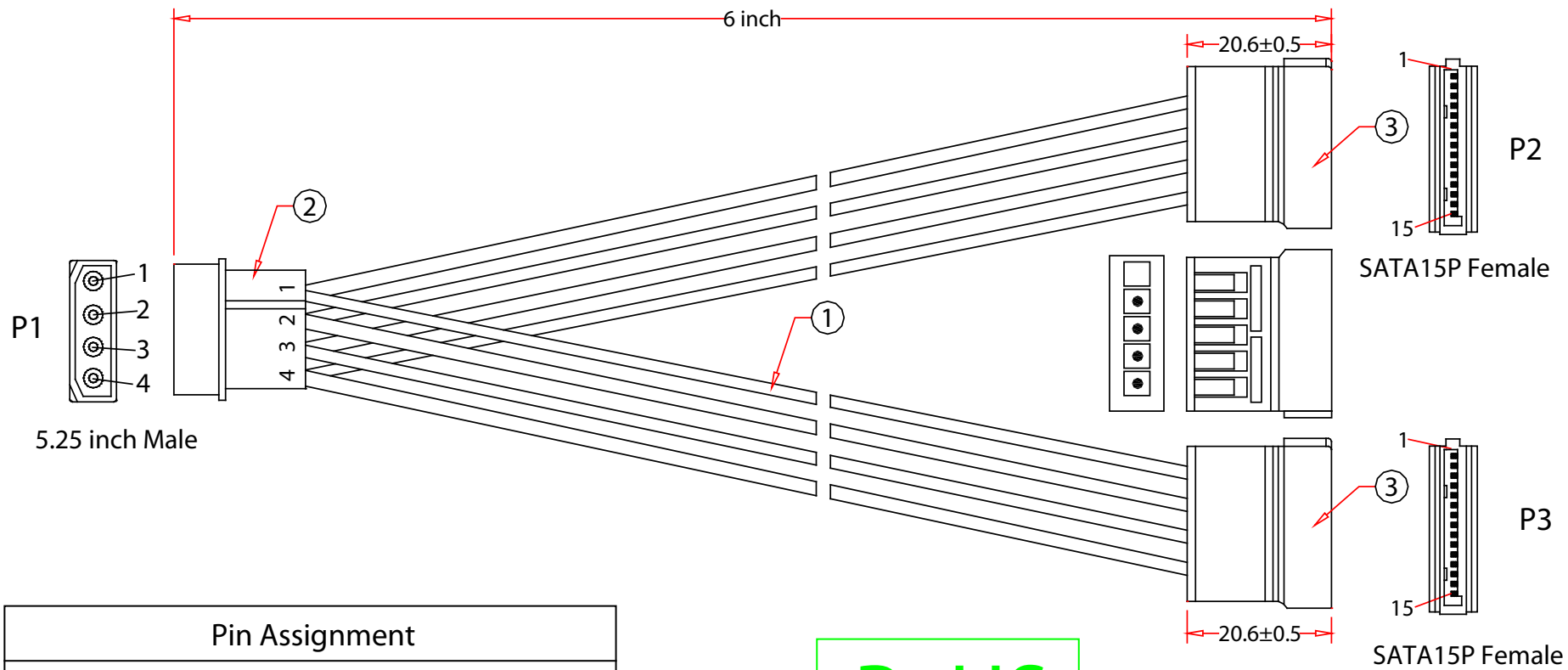


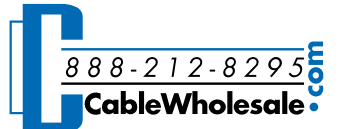
Rev.	Description	Date
A		02-2023



Pin Assignment		
P2	P1	P3
1,2,3 — Yellow	1 — Yellow	1,2,3
4,5,6 — Black	2 — Black	4,5,6
10,11,12 — Black	3 — Black	10,11,12
7,8,9 — Red	4 — Red	7,8,9

RoHS

No.	Specifications
3	SATA 15Pin Female, Black Insulator
2	4Pin 5.25" Male, Pitch:5.08mm
1	UL106118AWG Wire, Red 2Pcs, Yellow 2 Pcs, Black 4 Pcs

Item Number:	31SA-006P	
Title:	5.25" Male to SATA 15-Pin Female x 2 DC Power Adapter Y Cable, 6in	
Drawn by:	JL	
Approved by:	MAC	
ID:	1	