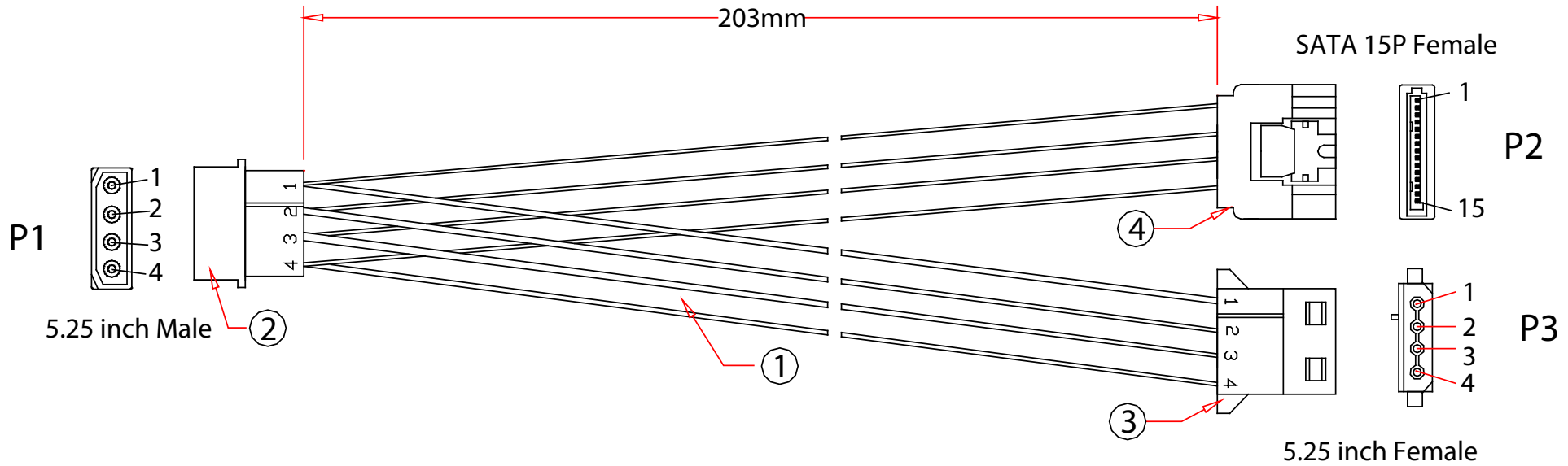


Rev.	Description	Date
A		02-2023



Pin Assignment		
P2	P1	P3
1 — Yellow	1 — Yellow	1,2,3
2 — Black	2 — Black	4,5,6
3 — Black	3 — Black	10,11,12
4 — Red	4 — Red	7,8,9

RoHS

		Item Number:	31SA-008P	
		Title:	5.25" Male to 5.25" Female with SATA 15-Pin Female Power Y Cable, 8in	
		Drawn by:	JL	
		Approved by:	MAC	
		ID:	1	
No.	Specifications			
4	SATA 15-Pin Female, Black Insulator, with Latch			
3	4Pin 5.25" Female, Pitch:5.08mm			
2	4Pin 5.25" Male, Pitch:5.08mm			
1	UL106118AWG Wire, Length: 145mm, Red 1Pcs, Yellow 1 Pcs, Black 2 Pcs			

