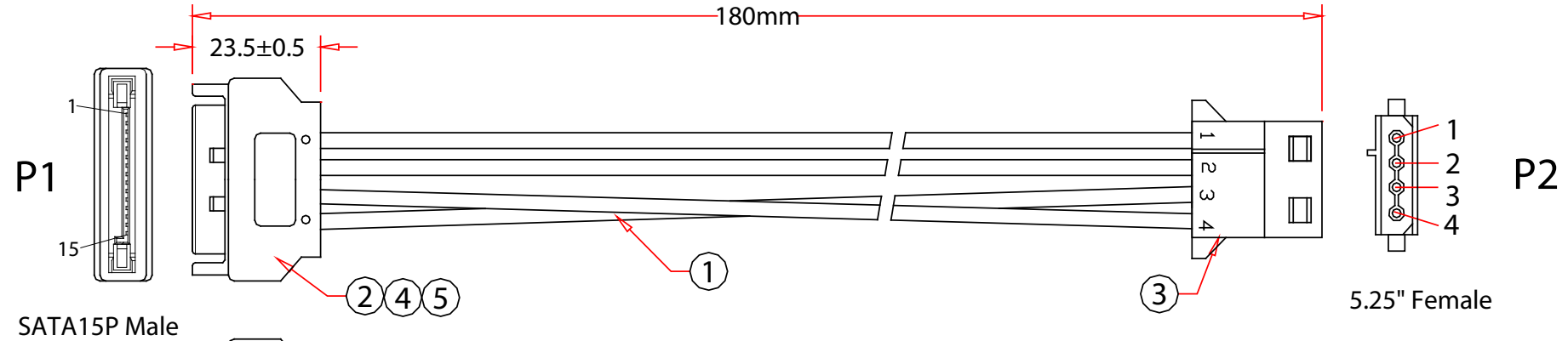


Rev.	Description	Date
A		02-2023



Pin Assignment		
P1		P2
1,2,3	Yellow	1
4,5,6	Black	2
10,11,12	Black	3
7,8,9	Red	4
13	} — NC	
14		
15		

RoHS

5	Outer Molding PVC Black	Item Number:	31SA-03107
4	Inner Molding PE, Color: Transparent	Title:	SATA 15-Pin Male to 5.25" Female DC Power Cable, 7in
3	4Pin 5.25" Male, Pitch 5.08mm	Drawn by:	JL
2	SATA 15Pin Female, Black Insulator	Approved by:	MAC
1	UL100718AWG Wire,Length 160mm, Red 1Pcs, Yellow 1 Pcs, Black 2Pcs	ID:	1
No.	Specifications	