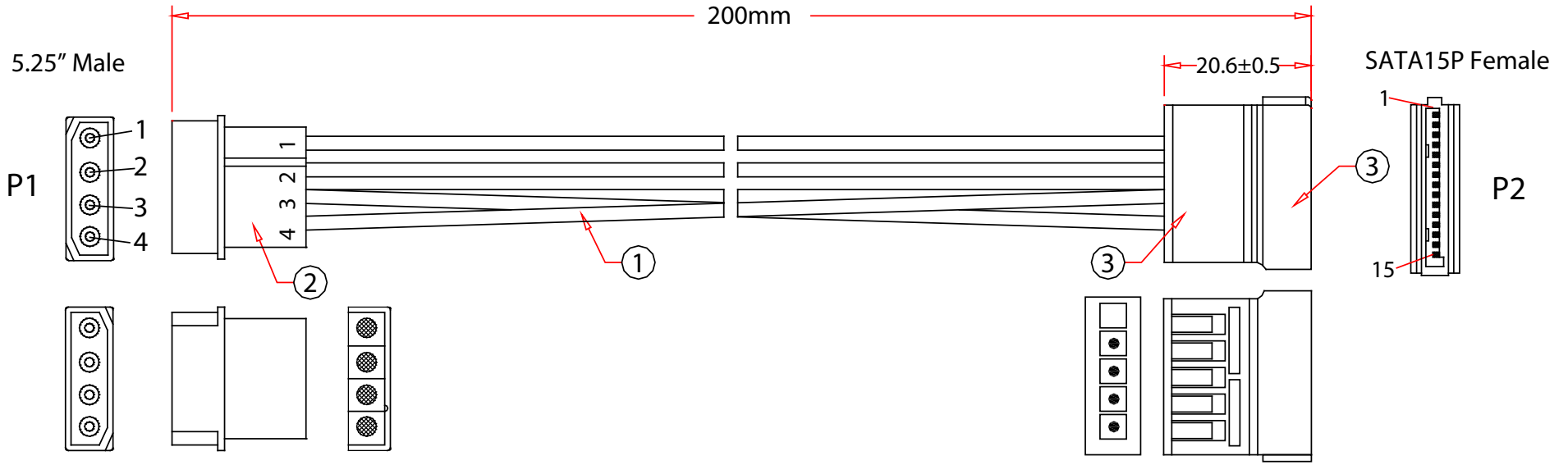


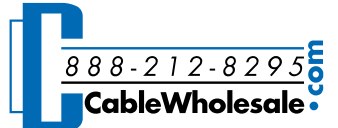
Rev.	Description	Date
A		02-2023



Pin Assignment		
P1		P2
1	Yellow	1,2,3
2	Black	4,5,6
3	Black	10,11,12
4	Red	7,8,9

RoHS

No.	Specifications
3	SATA 15Pin Female, Black Insulator
2	4Pin 5.25" Male, Pitch:5.08mm
1	UL106118AWG Wire, Length: 175mm, Red 1Pcs, Yellow 1 Pcs, Black 2 Pcs

Item Number:	31SA-04106	
Title:	SATA 15-Pin Female to 5.25" Male DC Power Cable, 6in	
Drawn by:	JL	
Approved by:	MAC	
ID:	1	