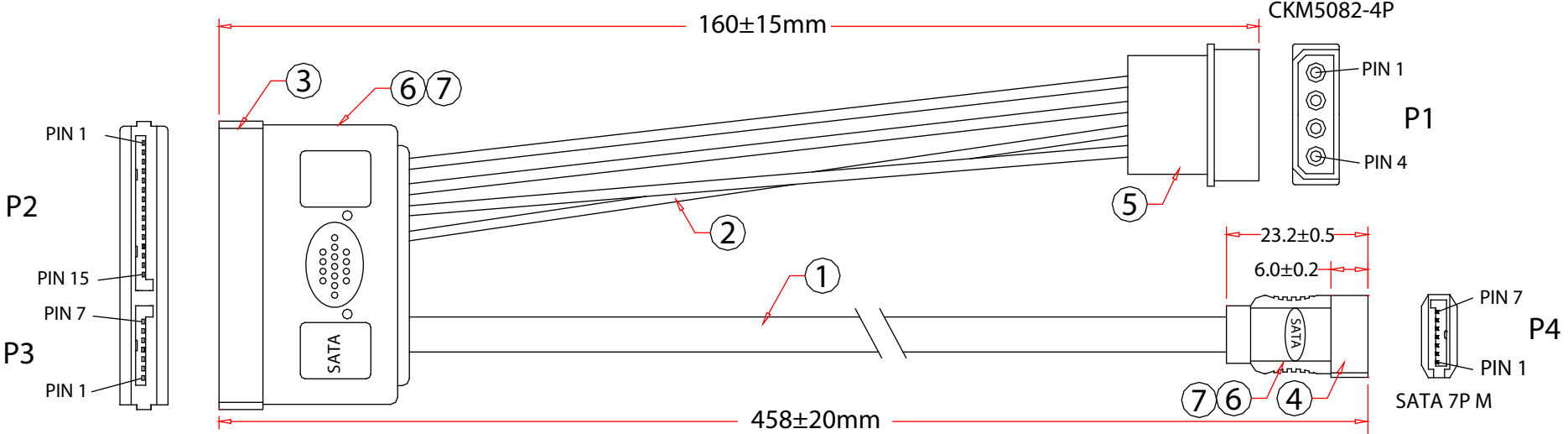


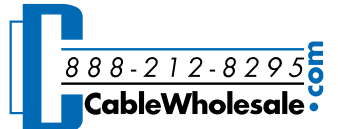
Rev.	Description	Date
A		05-2022



Pin Assignment			
P1	P2	P3	P4
1 Yellow	1	1 Shield	1
	2 +12V	2 White	2
	3	3 White	3
2 Black	4	4 Shield	4
	5 GND	4 Shield	4
	6	5 White	5
3 Black	10	6 White	6
	11 GND	7 Shield	7
	12		
4 Red	7		
	8 +5V		
	9		

RoHS

7	Molded PVC Black
6	Molded PE Color Transparent
5	4P Housing: CKM5082-4P, Pitch:5.08mm, Terminal: CKM5082-T
4	Serial ATA Connector, 7Pin Male, Black Plastic
3	Serial ATA Connector, 7+15 Pin Male, Black Plastic, A Piece Solder Type
2	UL1061 18AWG Wire, Length 140mm, Yellow*1C, Black*2C, Red*1C
1	UL2725 Serial ATA External Cable (26AWG*2C+D/W*3+AL/MY)*2C, OD:2.2*7.6mm, Red Outer PVC Jacket
No.	Specifications

Item Number:	31SA-56100	
Title:	SATA 7-pin Plus 15-Pin to SATA 4-Pin Power Cable, 18 inches	
Drawn by:	JL	
Approved by:	MAC	
ID:	1	