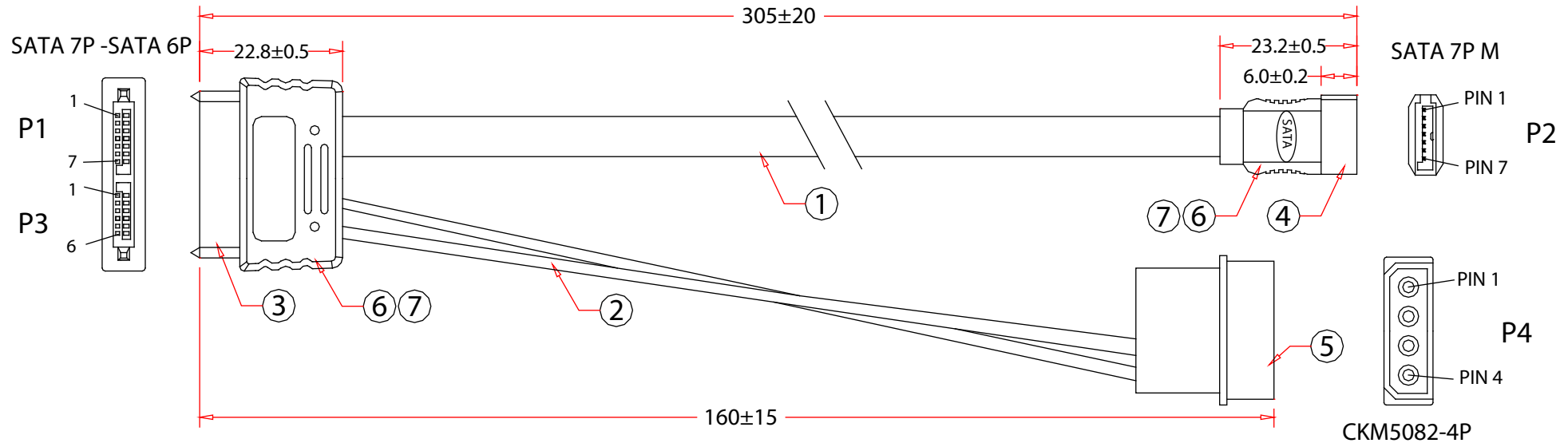


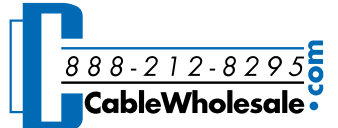
Rev.	Description	Date
A		05-2022



Pin Assignment						
P1		P2		P4		
1	Shield	1	+5V	2	Red	4
2	White	2		GND	3	Black
3	White	3	Another Group			
4	Shield	4		One Group		
5	White	5				
6	White	6				
7	Shield	7				

RoHS

7	Molded PVC Black
6	Molded PE Color Transparent
5	4P Housing: CKM5082-4P, Pitch:5.08mm, Terminal: CKM5082-T
4	Serial ATA Connector, 7Pin Male, Black Plastic
3	Serial ATA Connector, 7+6 Pin Male, Gold Flash on Contacts, Black Plastic
2	UL1061 18AWG Wire, Lentgh 140mm, Black and Red
1	UL2725 Serial ATA External Cable (26AWG*2C+D/W*3+AL/MY)*2C, OD:2.2*7.6mm, Red Outer PVC Jacket
No.	Specifications

Item Number:	31SA-56200	
Title:	Slimline SATA 13 Pin to SATA 7 Pin + 4 Pin Power Cable, 1 foot	
Drawn by:	JL	
Approved by:	MAC	
ID:	1	