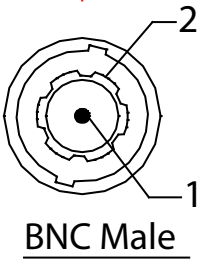
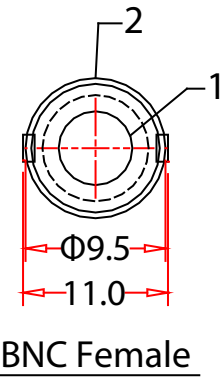
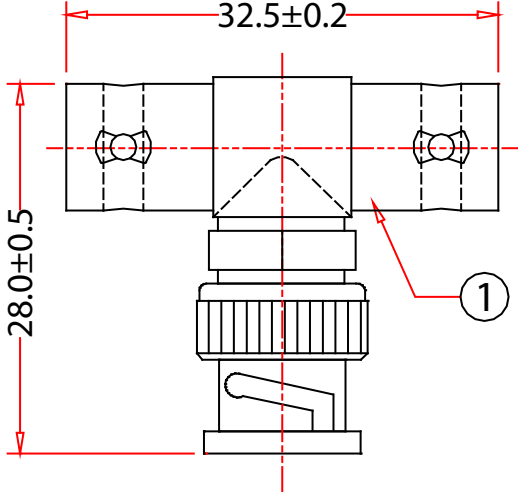
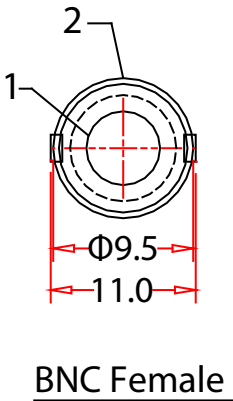
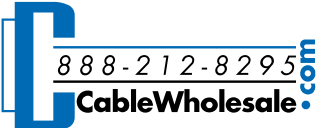


RoHS

Rev.	Description	Date
A		09-2021



Pin Assignment		
BNC Female	BNC Male	BNC Female
1	1	1
2	2	2

Item Number:	31X1-05610	
Title:	BNC T-Connector, BNC Male to Dual BNC Female	
Drawn by:	JL	
Approved by:	MAC	
ID:	108	

3	
2	
1	BNC T-Connector, Shell: Brass/ Nickel Plated
No.	Specifications