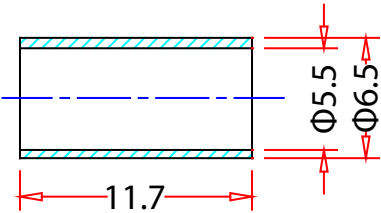
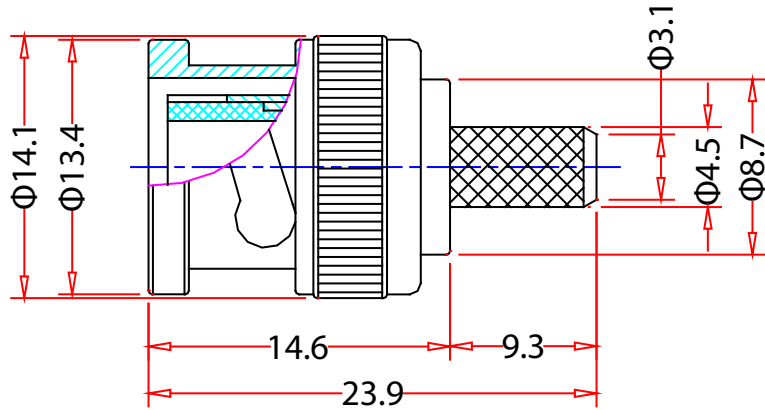
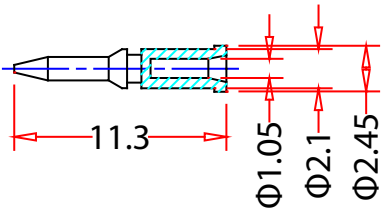
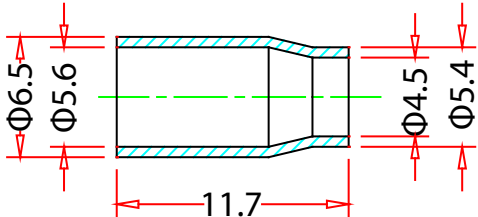


Rev.	Description	Date
A		12-2021

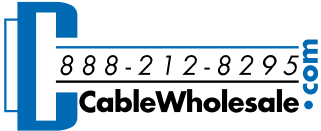
Units: mm



Zinc /Nickel Plated



RoHS

Item Number:	31X1-06500	
Title:	RG58 Stranded BNC Connector, 3 Piece Set	
Drawn by:	JL	
Approved by:	MAC	
ID:	232	

No.	Specifications
-----	----------------