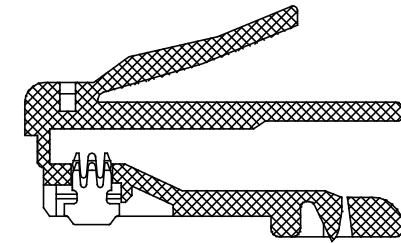
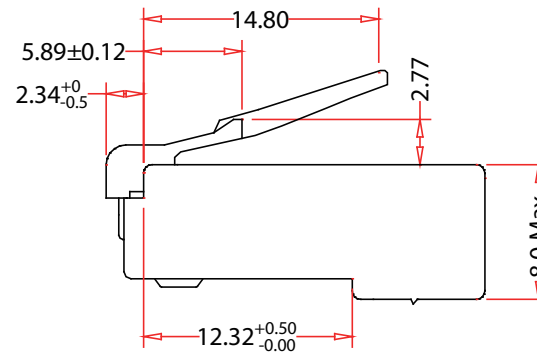
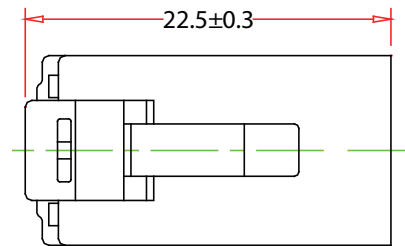
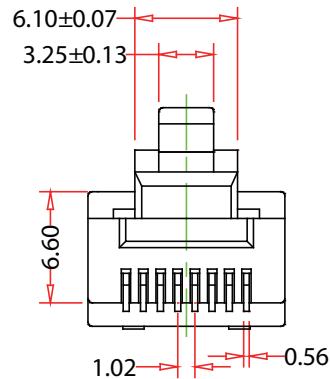
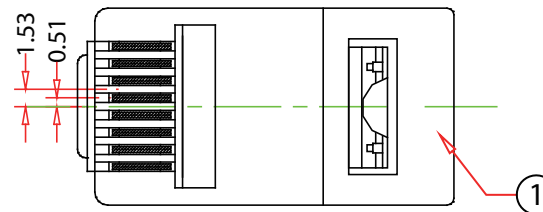
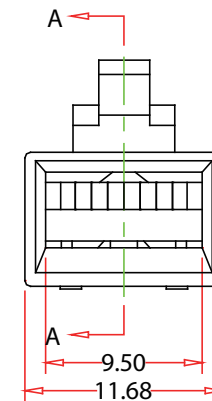


RoHS

Rev.	Description	Date
A		07-2021



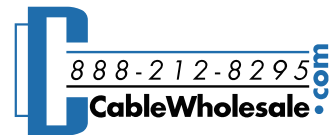
SECTION A-A



**NOTES:**

1. Operating Temperature: -40°C to +85 °C
2. Electrical Characteristics:
  - 2.1 Rated Current: 125V AC, 1.5A@25°C
  - 2.2 Contact Resistance: 20MΩ Max.
  - 2.3 Insulation Resistance: 500MΩ Min, 100V DC Min.
  - 2.4 Voltage Proof: 1000V AC/1 Minute no Breakdown.
3. Mechanical Characteristics:
  - 3.1 Insertion Force & Withdrawal Force: 30N Max.
  - 3.2 Durability: 750 Cycles Min.
4. Environmental Compliance:
  - 4.1 The Products are Compliant with the RoHS and REACH etc.

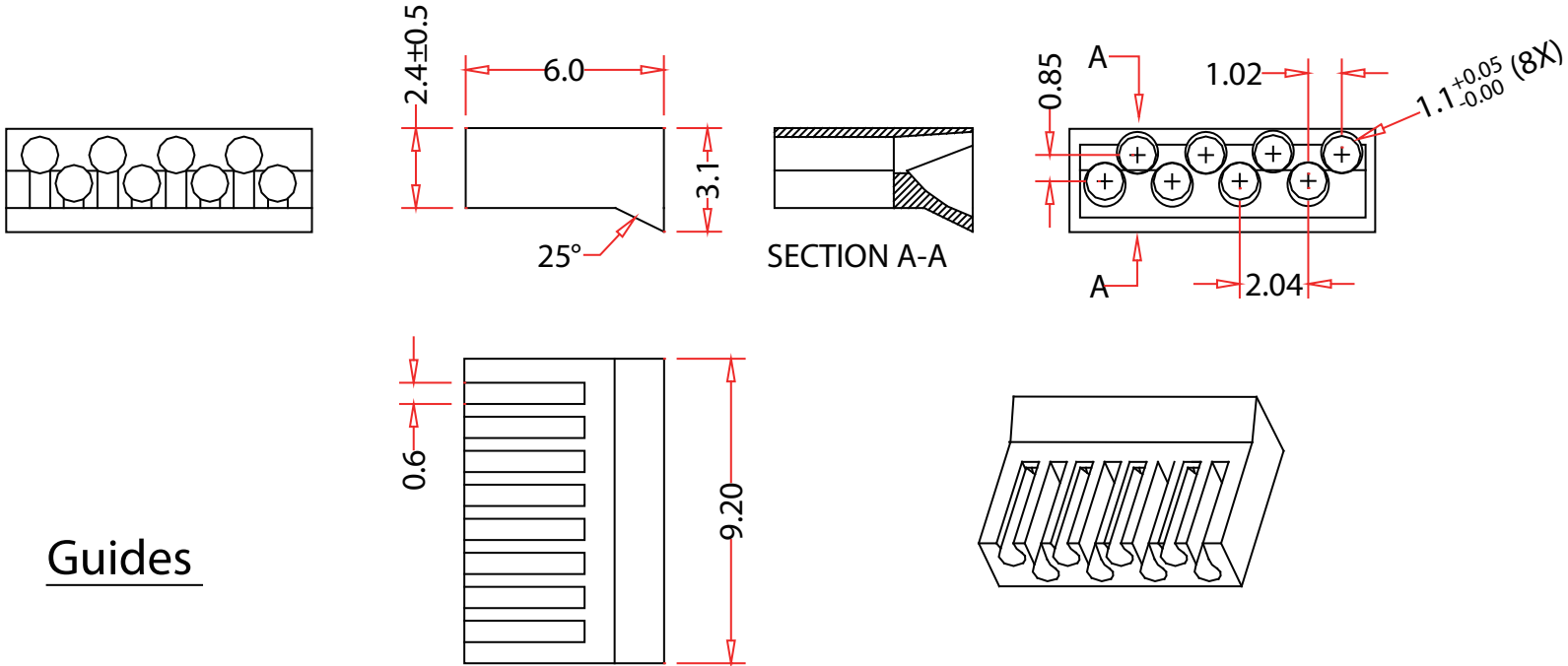
Packing: 100 Pcs Per Bag

Item Number:	31X8-080HD	
Title:	CAT6 Crimp Connectors for Solid Cable w/staggered guides	
Drawn by:	JL	
Approved by:	MAC	
ID:	1	

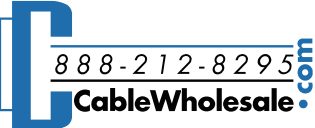
1	RJ45 8P8C Plug , 50 micro-inch Gold Plated on Contact, 3Prongs, Body UL 94V-2
No.	Specifications

Rev.	Description	Date
A		07-2021

RoHS



Guides

Item Number:	31X8-080HD	
Title:	CAT6 Crimp Connectors for Solid Cable w/staggered guides	
Drawn by:	JL	
Approved by:	MAC	
ID:	1	

1	
No.	Specifications