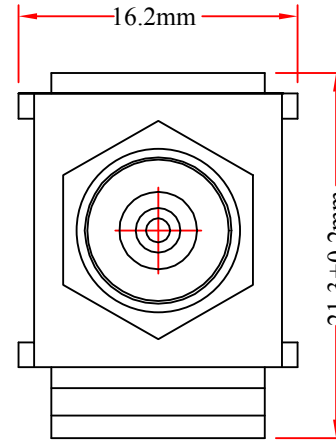
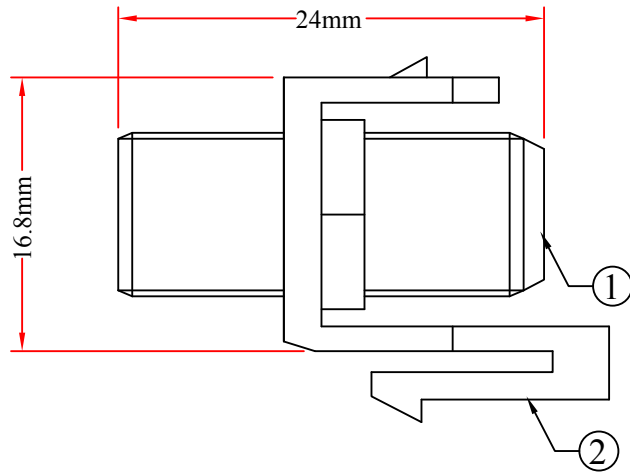


RoHs

REV.	DESCRIPTION	DATE
A		03-2012



PART NO.	BODY COLOR
322-120IV	IVORY
322-120WH	WHITE

NOTE:

F Keystone insert, F jack to jack, long type 1GHz F connector

ITEM NUMBER	322-120xx			DRAWER	JL
TITLE	F-Pin (Coax) Connector Keystone Module, White			CHECKED	
MATERIAL		SCALE		APPROVED	
REV.	A	UNIT	INCH		
DRAWING NO:					

2	ABS Body
1	F-Pin (Coax) Connector Material: Brass, Nickel Plated
NO.	SPECIFICATIONS
BOM LIST	