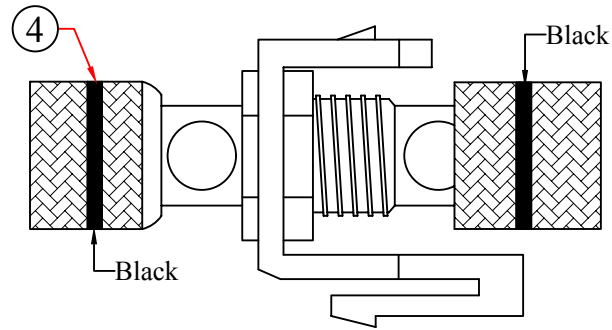
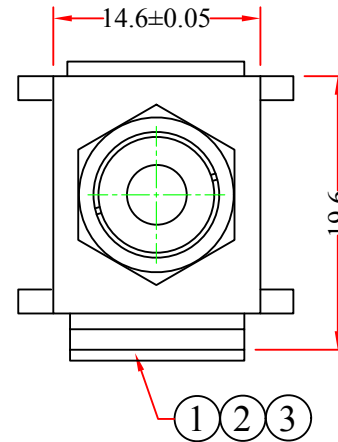
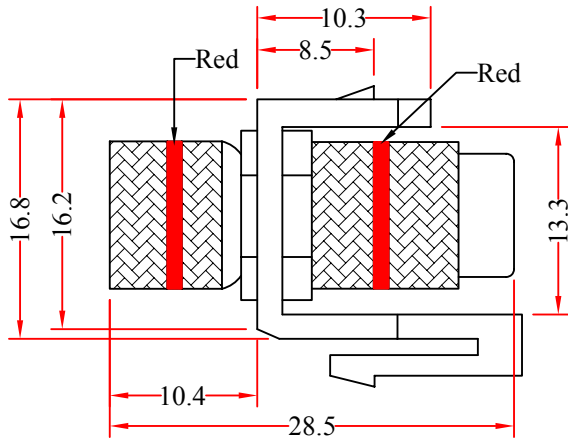


REV.	DESCRIPTION	DATE
A		04-2013



RoHS



4	O-Ring, Plastic, Black /Red
3	Nut, Brass
2	Binding Post, Brass
1	Body,ABS / White
NO.	SPECIFICATIONS
	BOM LIST

ITEM NUMBER	323-120WH			DRAWER	JL
TITLE	Keystone Insert, White, Banana Plug Binding Post, Banana Plug Female Coupler, Set of 2 (Red/Black)			CHECKED	
MATERIAL		SCALE		APPROVED	
REV.	A	UNIT	MM		
DRAWING NO:					