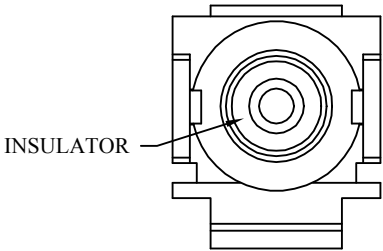
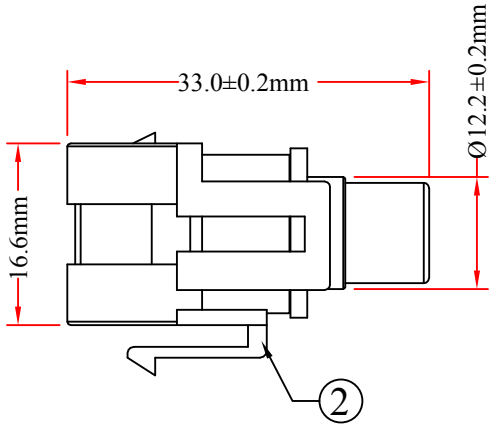
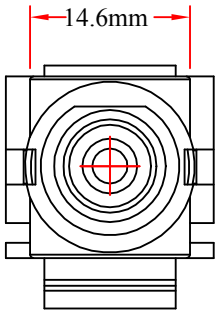
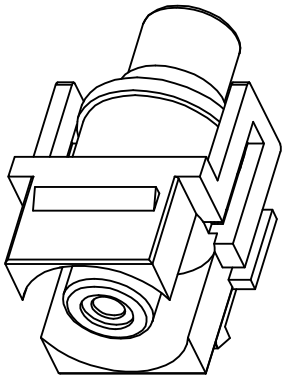
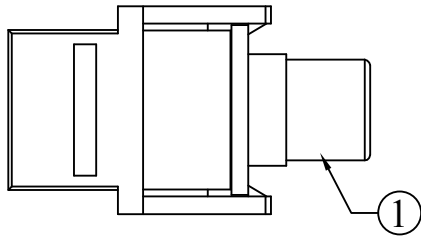


REV.	DESCRIPTION	DATE
A		03-2012

RoHs



PART NO.	INSULATOR COLOR
324-220WB	BLUE
324-220WG	GREEN
324-220WR	RED
324-220WW	WHITE
324-220WY	YELLOW

ITEM NUMBER	324-220xx			DRAWER	JL
TITLE	RCA Female / Female Connector Keystone Module (Recessed)			CHECKED	
				APPROVED	
MATERIAL		SCALE			
REV.	A	UNIT	INCH		
DRAWING NO:					

2	White ABS Body
1	RCA Female Connector Material: Brass, Gold Plated
NO.	SPECIFICATIONS
BOM LIST	