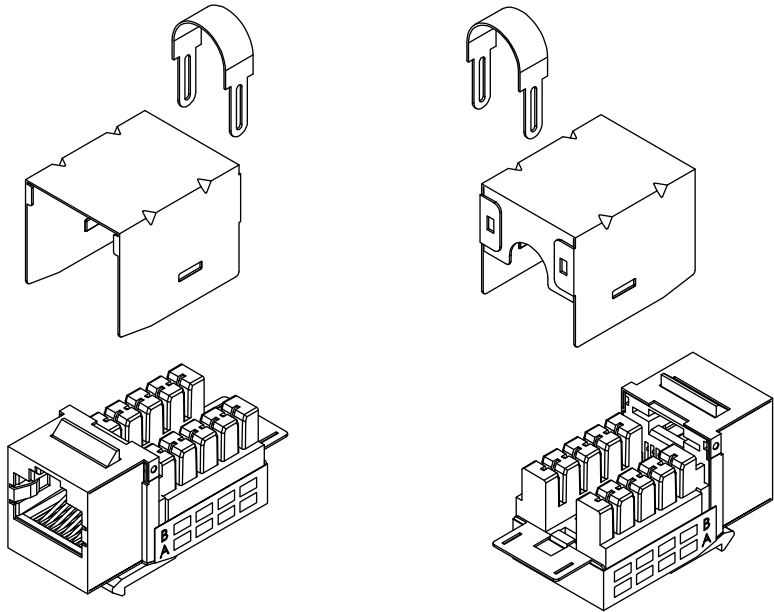


Rev.	Description	Date
A		03-2023



RoHS

Performance:
Meets C6 EIA/TIA 568B Standard.

Materials:
 Body : Fireproof ABS UL-94V0
 Metallic Case : Metal
 Jack : 8P8C 50 micro inches gold plated
 PCB : FR-4 / UL-94V0
 IDC Body : Fireproof ABS UL-94V0
 IDC Pin : Bronze & Tinned

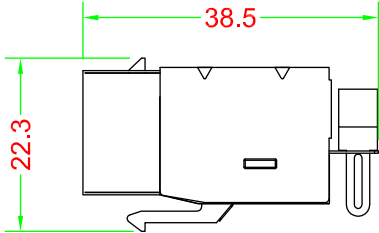
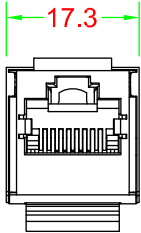
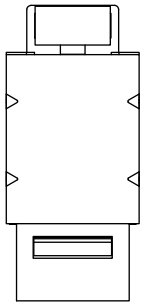
IDC Description : For 22-26 AWG.
For 110 punch-down Tool

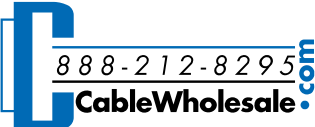
Electrical Specifications:
 Insulation Resistance : 500M ohms (min.)
 Contact Resistance : 20m ohms (max.)
 Current Rating : 1.5 Amps .
 DC Resistance : 0.1 ohms (max.)
 Withstanding Voltage : 1000 VAC RMS @ 60Hz / 1 min.

Mechanical Specifications:
 IDC Punch Down Cycle : Over 250 Cycles (min.)
 Jack Insertion Cycle : Over 2000 Cycles (min.)

Operation Temperature : -40 °C ~ +70 °C

Cat 6 Keystone Jack FTP 50u



Item Number:	326-520	
Title:	Shielded Cat 6 Keystone, RJ45 Female to 110 Punch Down	
Drawn by:	JL	
Approved by:	MAC	
ID:	95	

No.	Specifications
-----	----------------