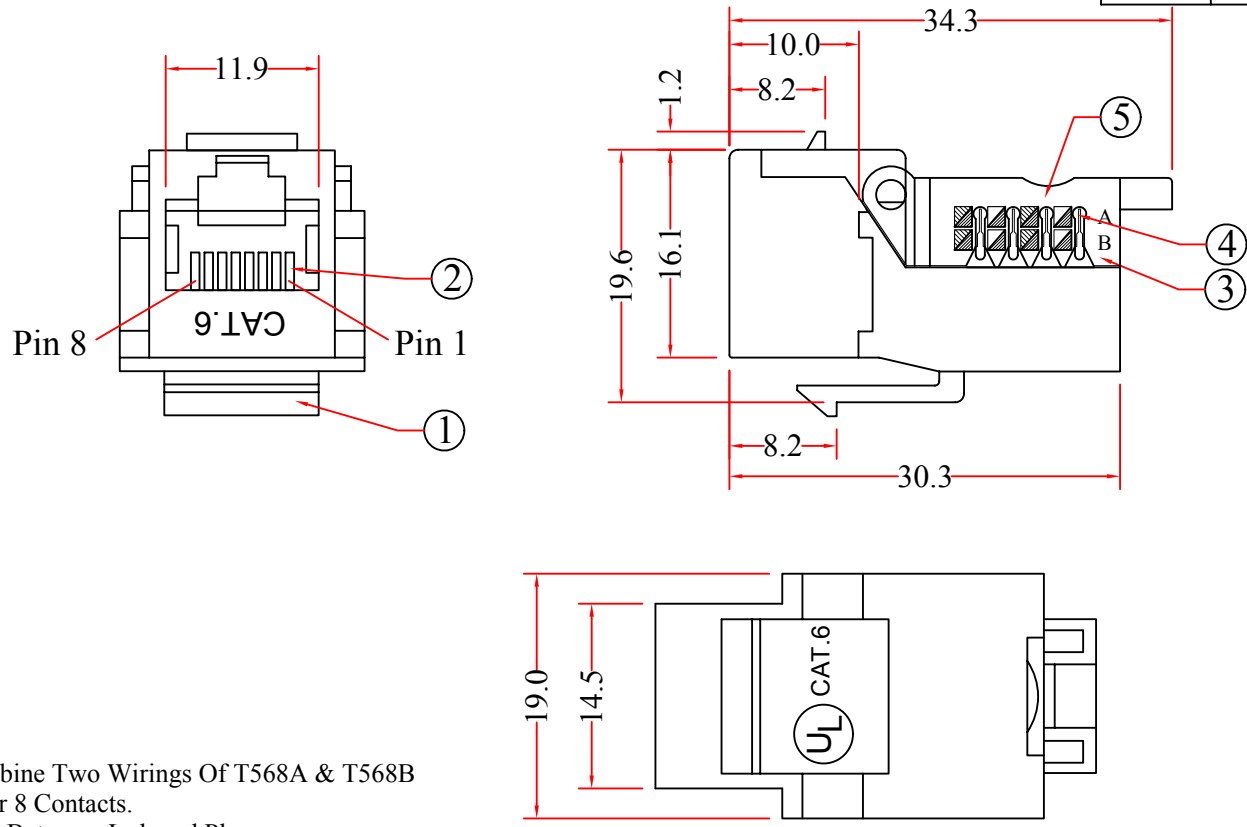


REV.	DESCRIPTION	DATE
A		02-2013
B		



RoHS

PART NO.	COLOR
327-120BK	Black
327-120BL	Blue
327-120GR	Green
327-120IV	Ivory
327-120RD	Red
327-120WH	White
327-120YL	Yellow

Performance:

1. The IDC Color Codes Combine Two Wirings Of T568A & T568B
2. Insertion Force: 900 gms for 8 Contacts.
3. Retention Strength: 7.7 kgs Between Jack and Plug.
4. Operation Temperature: -40°C to 80°C.
5. Durability Jack: 750 Cycles Plug - Jack Mating and Unmating Test, Insertion Cycles. at 20 Cycles/Minute Max. Contact Resistance Test Per 100 Cycles.
6. The Cat.6 Performance Is In Compliance With The ANS/TIA/EIA 568 B.2-1 Standard.

ITEM NUMBER	327-120xx			DRAWER	JL
TITLE	Cat6 Keystone Jack, Toolless, RJ45 Female			CHECKED	
MATERIAL		SCALE		APPROVED	
REV.	A	UNIT	MM		
DRAWING NO:				 888-212-8295	

5	IDC CAP: PC UL 94V-2
4	IDC Terminal Material, Phosphor Bronze 50 Micro Inch Tin-Lead Plated, Use for 23-24AWG Solid wire
3	IDC Housing: PC UL 94V-2
2	RJ45 Jack, 8P8C Pin 50 Micro Inches, Gold Plated
1	Plastic Housing, UL94V-0 Approval ABS +PC
NO.	SPECIFICATIONS
BOM LIST	