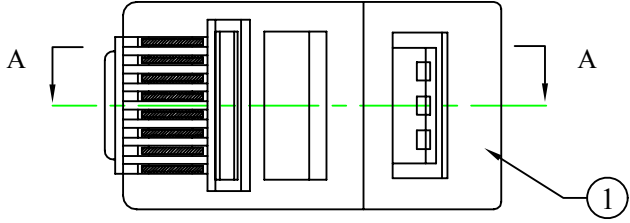
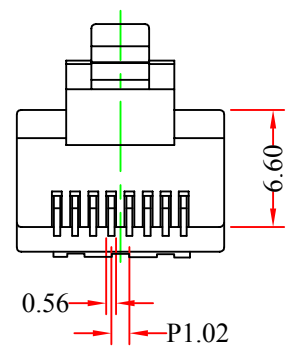
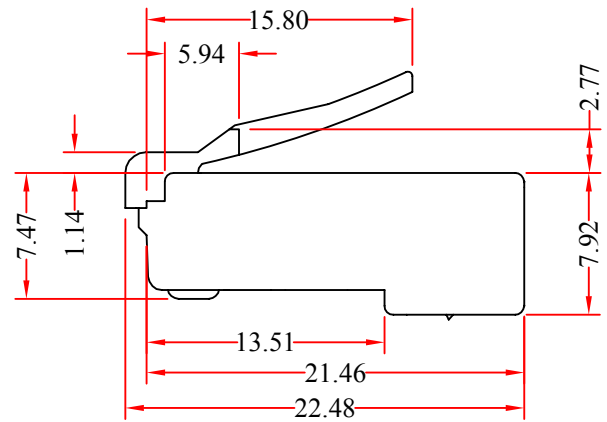
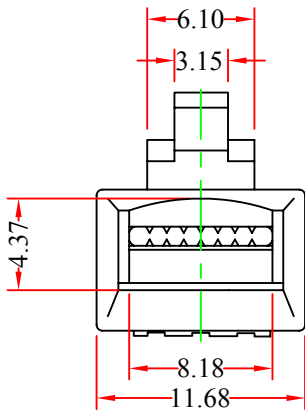


REV.	DESCRIPTION	DATE
A		08-2013



RoHS



Notes.

Operation Temperature: -40°C to +85°C
 Insertion / Extraction: 1000 Cycles
 Contact Resistance: 10 Milli Ohms Max.
 Current Voltage: 30V AC/ 42V DC AT 1.5 Amps

		ITEM NUMBER	32D0-500HD		DRAWER	JL
		TITLE	EZ-RJ45 Cat5e Crimp Plugs, Slide Through Wires, 100 Pieces		CHECKED	
					APPROVED	
3		MATERIAL	SCALE			
2		REV.	A	UNIT		
1	RJ45 8P8C Plug, Pin 50 micro-inch, Gold Plated	DRAWING NO:				
NO.	SPECIFICATIONS					
BOM LIST						