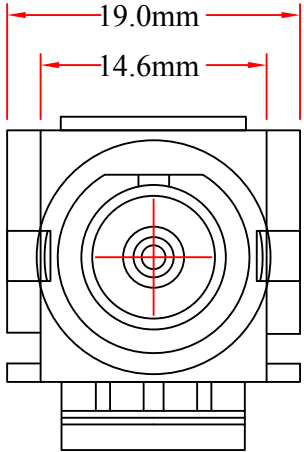
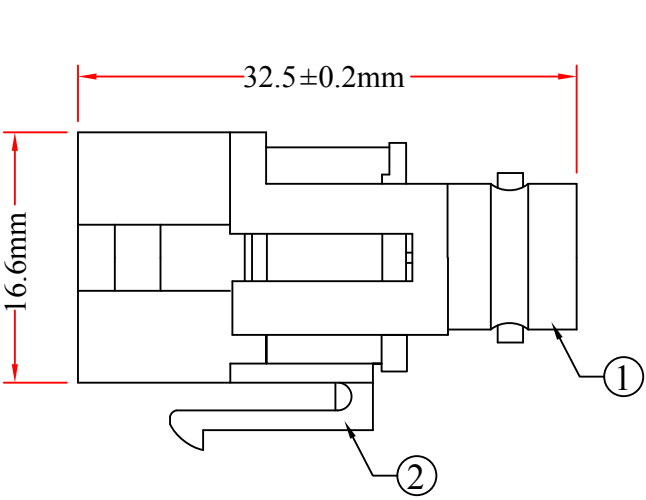


RoHs

REV.	DESCRIPTION	DATE
A		03-2012



ITEM NUMBER	330-120WH			DRAWER	JL
TITLE	BNC Keystone Jack Insert, White			CHECKED	
MATERIAL		SCALE		APPROVED	
REV.	A	UNIT	INCH		
DRAWING NO:				 888-212-8295.com	

2	White ABS Body
1	BNC Female Connector , Flush Type, Nickel Plated
NO.	SPECIFICATIONS
BOM LIST	