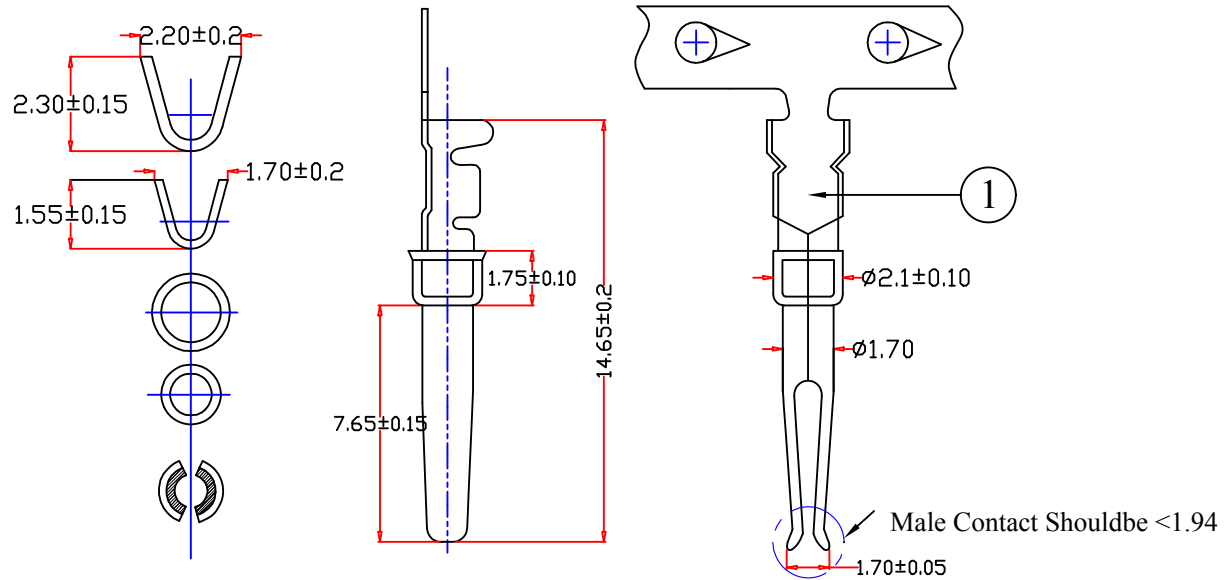


REV.	DESCRIPTION	DATE
A		03-2015



RoHS

ITEM NUMBER	3300-104HD			DRAWER	JL
TITLE	High Density Female Crimp Contacts, 100 Pieces			CHECKED	
MATERIAL		SCALE		APPROVED	
REV.	A	UNIT	MM		
DRAWING NO:				 888-212-8295.com CableWholesale.com	
ID(NO.)	176				

1	High Density Female Crimp Contacts
NO.	SPECIFICATIONS
	BOM LIST