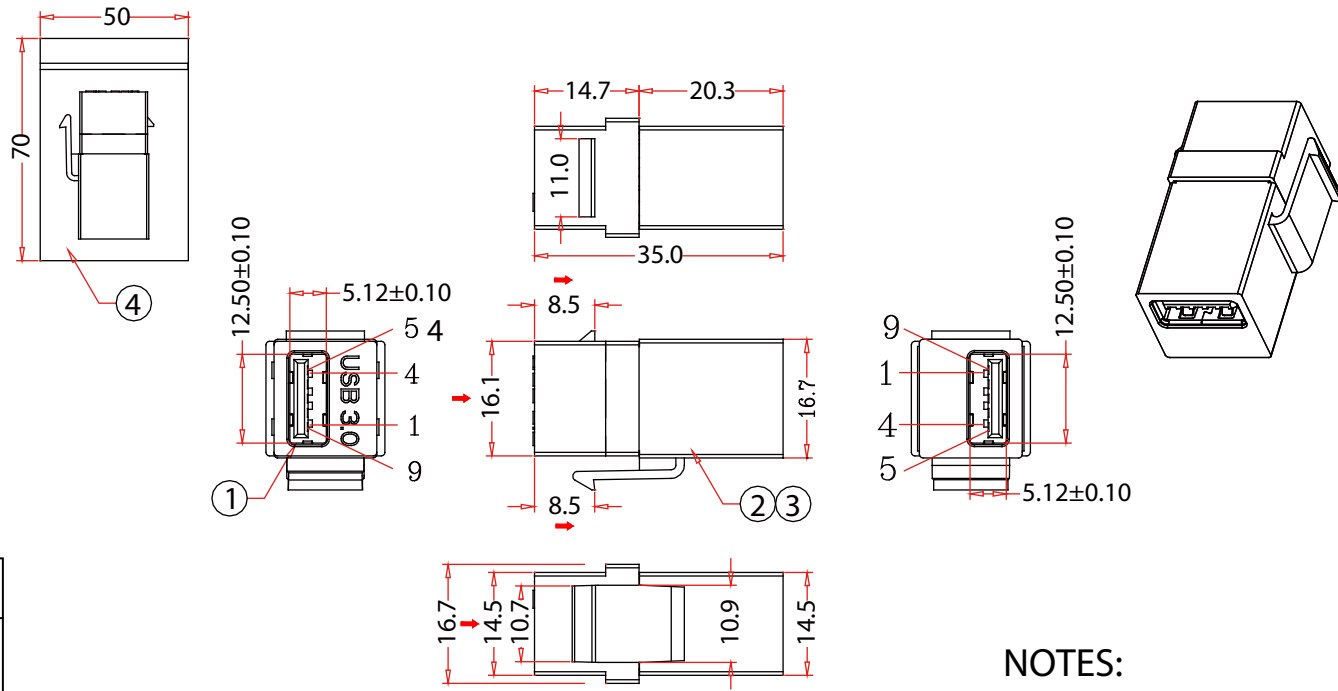


Rev.	Description	Date
A		10-2022

RoHS



Pin Assignment	
USB AF	USB AF
1	1
2	2
3	3
4	4
5	5
6	6
7	7
8	8
9	9
Shell	Shell

- NOTES:**
- 1. Electrical Test:
    - (1) 100% Open Short & Miswire Test.
    - (2) Conductor Resistance: 5 ohm
    - (3) Insulation Resistance: 10M ohm
    - (4) Hiphot Test: 300V/10ms
  - 2. → Means Important Size
  - 3. Packing: 1PC in a PE Zip Bag

5		Item Number:	333-330
4	PE Bag L70*W50 mm	Title:	Keystone Insert, White, USB 3.0 Type A Female Coupler
3	ABS Hood White	Drawn by:	JL
2	PCB T=1.6mm	Approved by:	MAC
1	USB 3.0 A Type Female, Glod Flash on Contacts & Ni Connector	ID:	1
No.	Specifications	