

Rev.	Description	Date
A		10-2018

Performance:

Meets CAT6A EIA/TIA 568C Standard.

Materials :

Boay: Fireproof ABS UL-94V0

Metallic Case: Metal

Jack: 8P8C 50 Micro Inches Gold Plated

PCB: FR-4 / UL-94V0

IDC Cap: Fireproof ABS UL-94V0

IDC Body: Fireproof ABS UL-94V0

IDC Pin: Bronze & Tinned

IDC Description: For 22-26 AWG

For 110 Punch-Down Tool

Electrical Specification:

Insulation Resistance:500M ohms(min.)

Contact Resistance:20M ohms(max.)

Current Rating:1.5Amps

DC Resistance:0.1 ohm(max.)

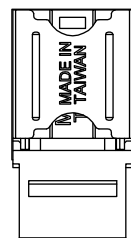
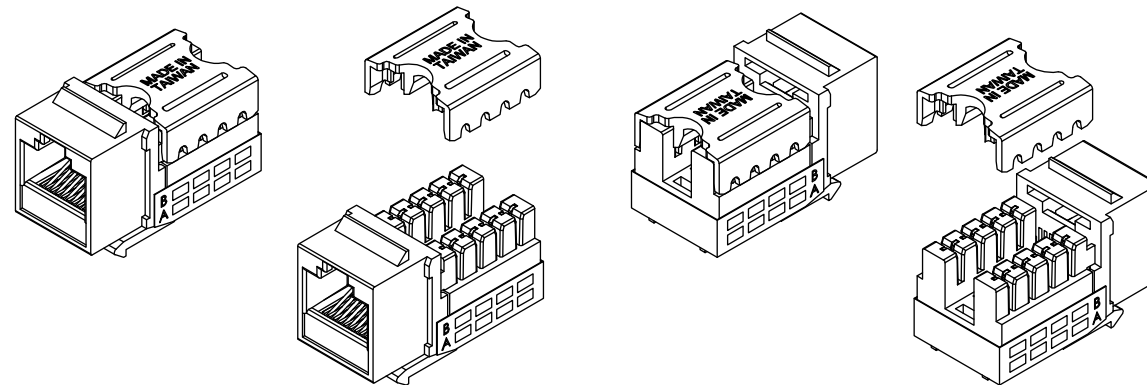
Withstanding Voltage:1000 VAC RMS@60Hz/1min.

Mechanical Specification:

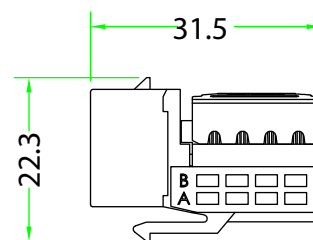
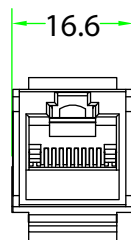
IDC Punch Down Cycle: Over 250 Cycles(min.)

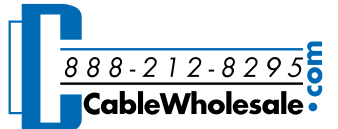
Jack Insertion Cycle: Over 2000 Cycles(min.)

Operation Temperature:-40°C ~ +70°C



RoHS



Item Number:	33X6-120BL	
Title:	Cat6a Keystone Jack, Blue, RJ45 Female to 110 Punch Down	
Drawn by:	JL	
Approved by:	MAC	
ID:	95	

No.	Specifications
-----	----------------