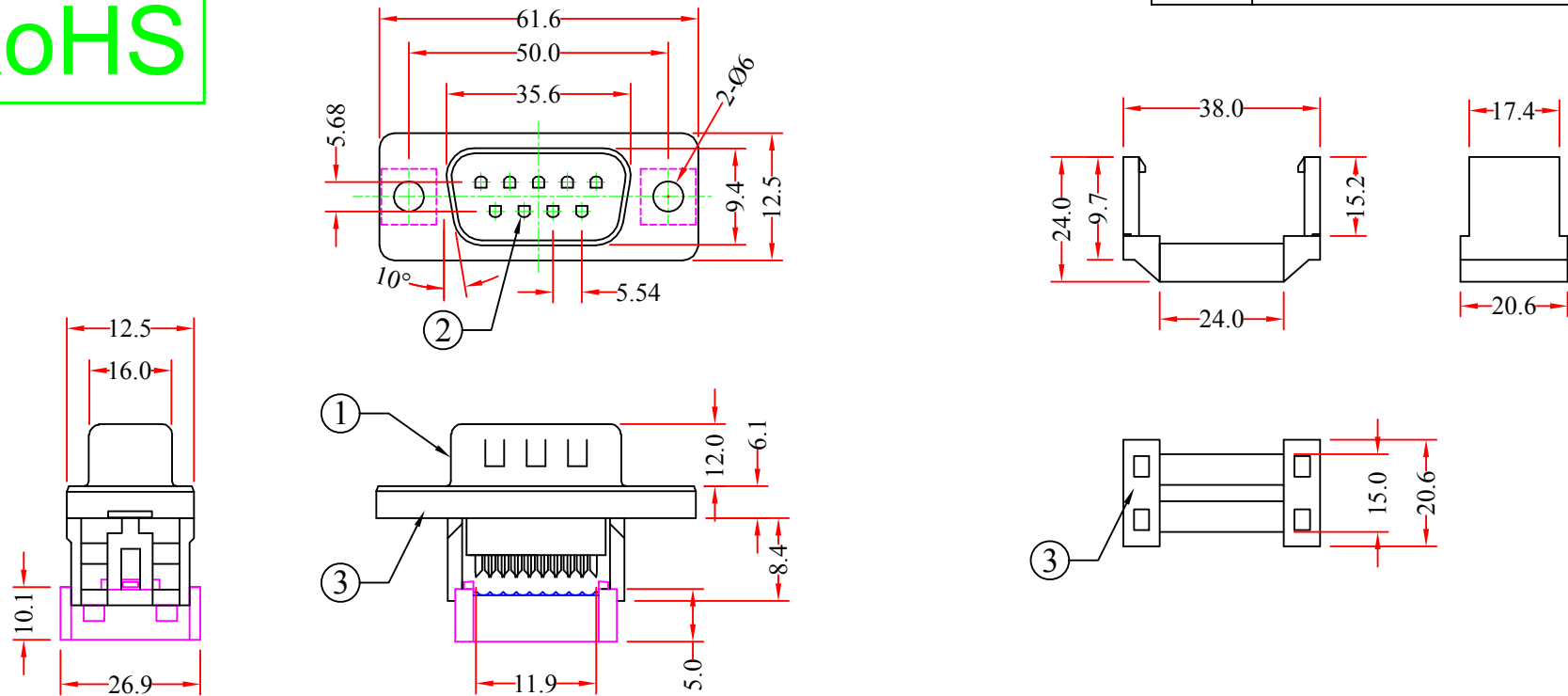


RoHS

REV.	DESCRIPTION	DATE
A		04-2013



Specifications:

Contact Resistance: 30M Ohm Max.at DC 100mA

Insulato Resistance: 1000M Ohm Min.at DC 500V

Current Rating : 1 Amp

Dielectric Withstanding:

Voltage: AC 500V For 1 Minute

Operating Temperature: -55 °C + 105 °C

3	DB9P Male Housing, PBT & 30% Glass Fiber (UL 94V-0), Blue
2	DB9P Male Contact, Brass
1	DB9P Male Shell, Nickel Plated
NO.	SPECIFICATIONS
BOM LIST	

ITEM NUMBER	3430-12009			DRAWER	JL
TITLE	DB9 Male IDC Ribbon Right Angle Connector			CHECKED	
				APPROVED	
MATERIAL		SCALE			
REV.	A	UNIT	MM		
DRAWING NO:					