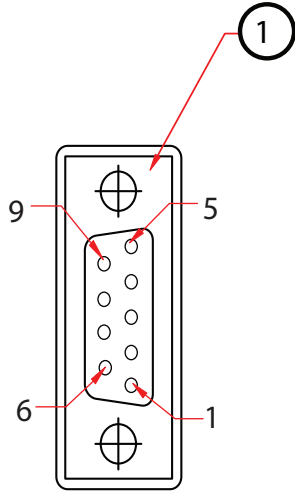
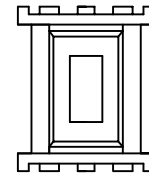
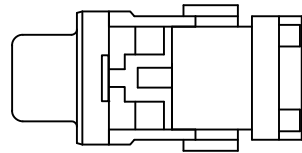
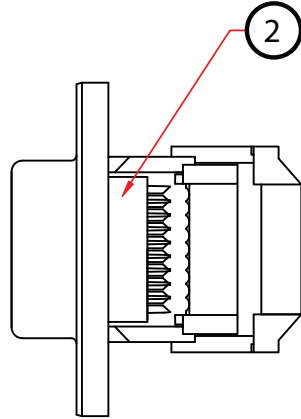


REV.	DESCRIPTION	DATE
A		
B		06-2009



DB9 / F



IDC

RoHS  
Compliant

3	
2	Housing: PBT & 30% Glass Fiber (UL94 Approval)
1	DB9 Female, Insulation: Blue, Phosphor Bronze
NO.	SPECIFICATIONS
	BOM LIST

ITEM NUMBER	3430-14009		DRAWER	LIBRA
TITLE	DB9 Female IDC Ribbon Right Angle Connector		CHECKED	
			APPROVED	
MATERIAL		SCALE	⊕	⊏
REV.	A	UNIT		
DRAWING NO:			