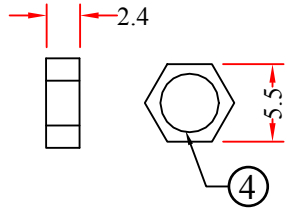
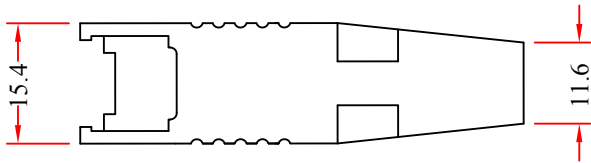
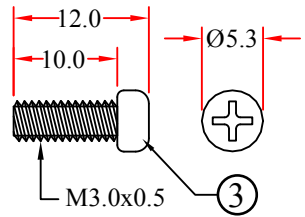
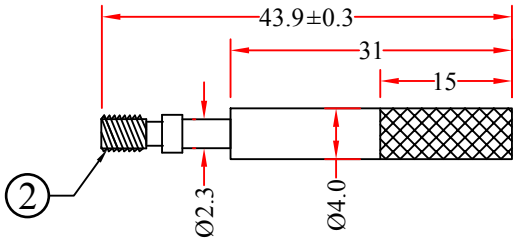
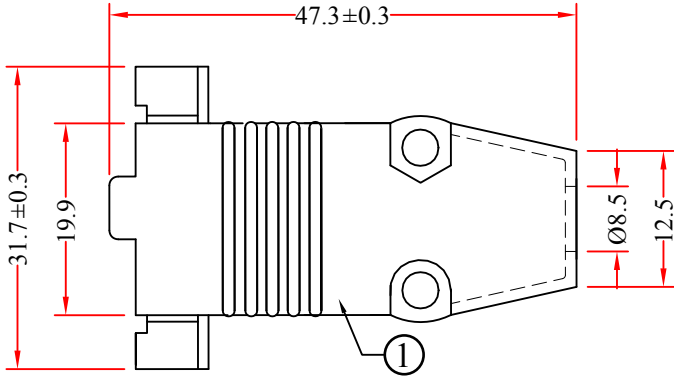


RoHS

REV.	DESCRIPTION	DATE
A		08-2012



NO.	SPECIFICATIONS
4	Nut W2.4*H5.5mm
3	Screw M3*12mm
2	Screw 4#-40 ,L:43.9mm
1	DB9P / HD15P Metal Hood
BOM LIST	

ITEM NUMBER	3512-009		DRAWER	JL
TITLE	DB9 / HD15 (Serial / VGA) Metal Hood with Thumb Screws		CHECKED	
MATERIAL	SCALE		APPROVED	
REV.	A	UNIT	mm	
DRAWING NO:			