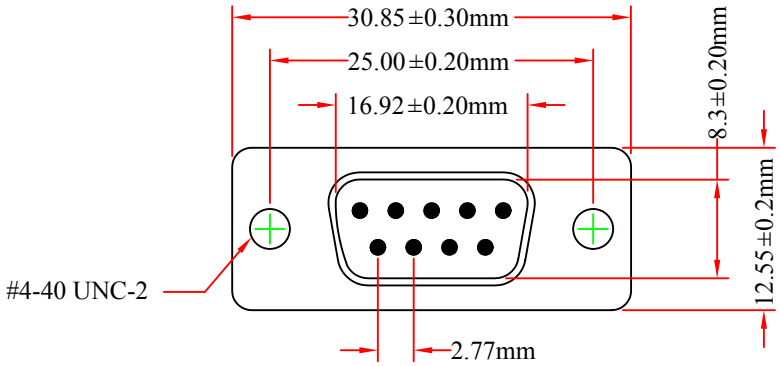
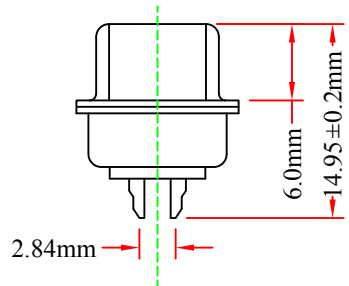
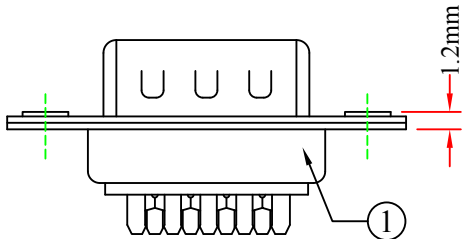


REV.	DESCRIPTION	DATE
A		08-2012



RoHS



1	DB9 Male, Insulation:Black, Solder Type
NO.	SPECIFICATIONS
BOM LIST	

ITEM NUMBER	3530-01009			DRAWER	JL
TITLE	DB9 D-Sub Connector Solder type Male			CHECKED	
MATERIAL		SCALE		APPROVED	
REV.	A	UNIT	INCH		
DRAWING NO:				 888-212-8295 CableWholesale.com	