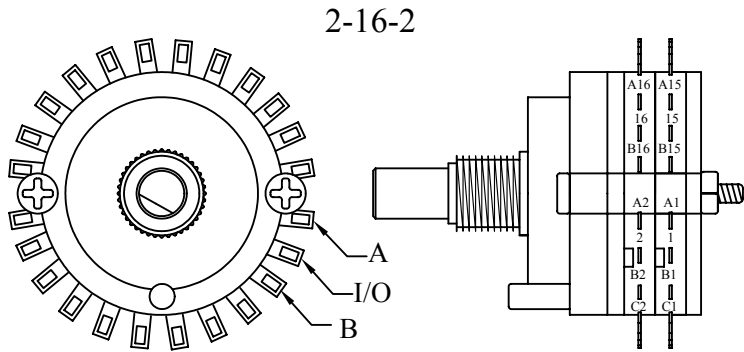
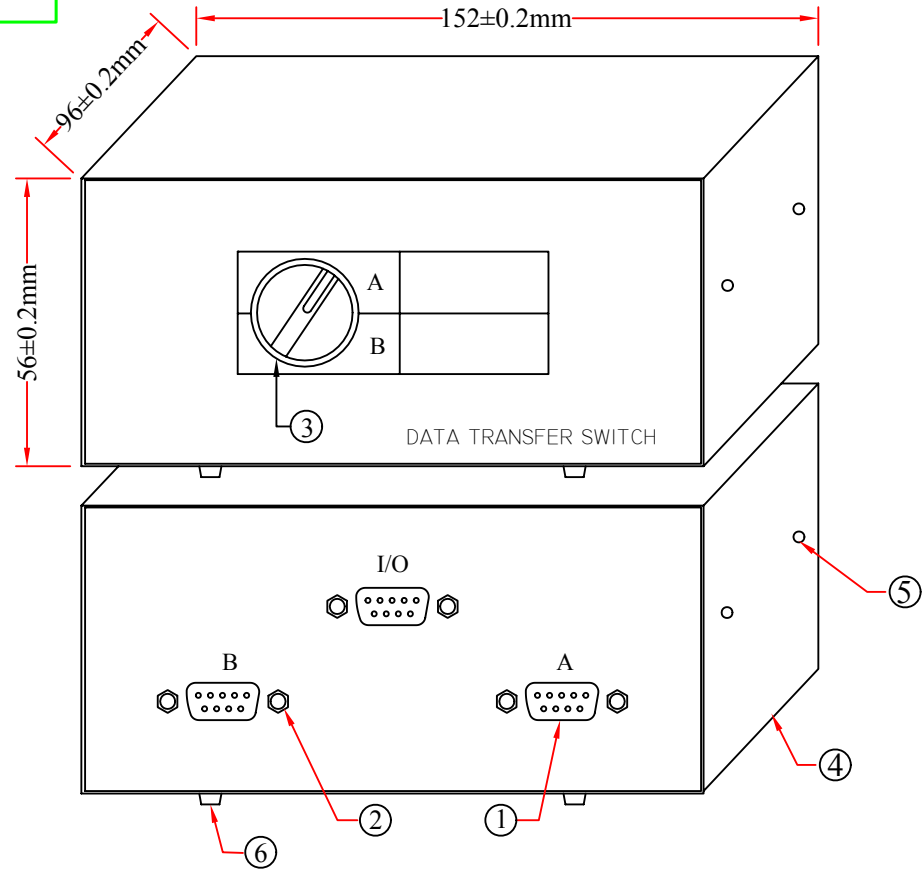


REV.	DESCRIPTION	DATE
A		06-2013

RoHS



Pin Assignment		
DB9P/F	Switch	DB9/F
I/O		A&B
1	1	1
2	2	2
3	3	3
4	4	4
5	5	5
6	6	6
7	7	7
8	8	8
9	9	9
Shell		Shell



6	Plasto-Visco-Elastic Body
5	Screw 3*6PWB
4	Metal Case, Thickness 0.8mm
3	UL 1007 26AWG Wire,L:150mm, Main Heart 2-16-2, Knob For A , B Switch
2	Screw 4.75*12.3m, Hex-Nut 6.35*2.3mm
1	DB9P Female, Gold Flash On Contacts, Blue Insulator
NO.	SPECIFICATIONS
BOM LIST	

ITEM NUMBER	40D1-10602			DRAWER	JL
TITLE	AB 2 Way Switch Box, DB9 Female			CHECKED	
MATERIAL		SCALE		APPROVED	
REV.	A	UNIT	INCH		
DRAWING NO:				 888-212-8295.com	