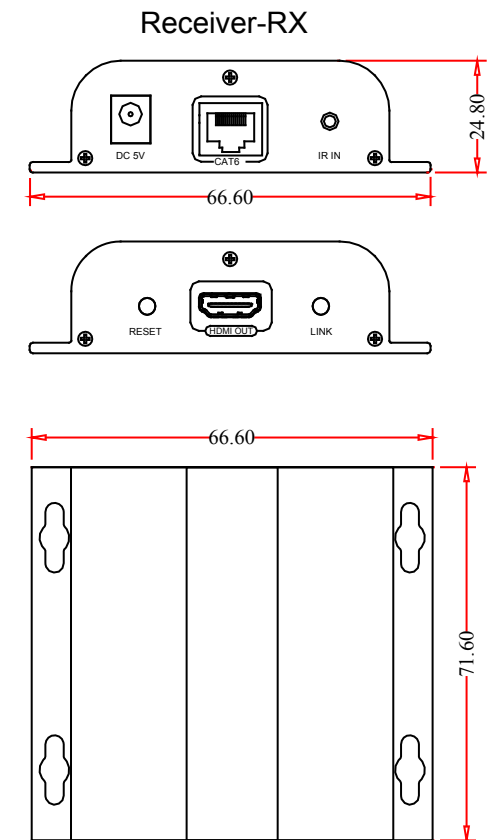
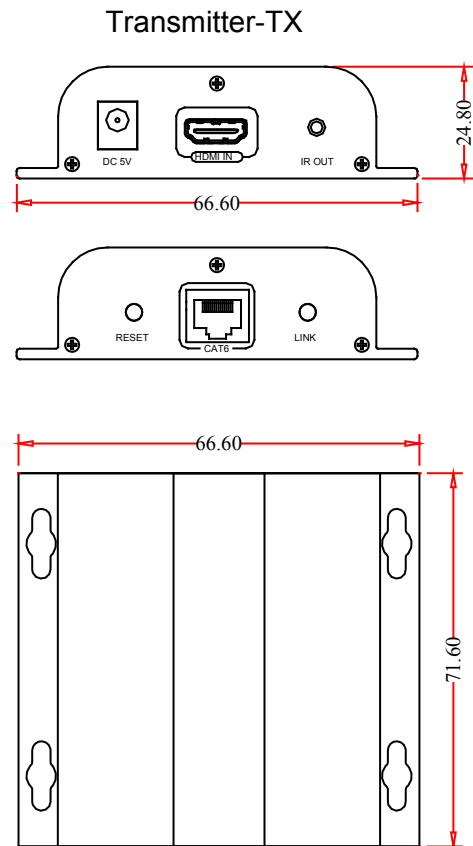
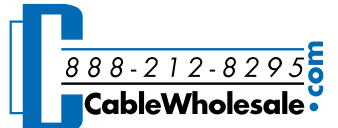


Rev.	Description	Date
A		09-2019

SPECIFICATIONS

Technical	Transmitter-TX	Receiver-RX
HDMI compliance	1.4a	
HDCP compliance	1.2a	
Video bandwidth	225MHz(10.2Gbps)	
Video support	480I/P、576I/P、720P、1080I/P、3D	
Audio support	PCM、AC3、DTS	
InputTMDs signal	1.2Vp-p	
loop-out on TX	no	
IR passback	yes	
IR frequency Range (KHz)	20-60KHz	
Input	1xHDMI	1xRJ45, 1x3.5mm(IR)
Output	1xRJ45, 1x3.5mm(IR)	1xHDMI
HDMI conector	Type A, Female, 19-pin	
RJ-45 connector	RJ-45	
Housing	Metal enclosure	
Dimensions(LxWxH mm)	71.6x66.6x24.8mm	71.6x66.6x24.8mm
Net weight	83g	80.6g
Fixedness	wall-mounting case with screws	
Power supply	5V1A	
Consumption	<2W	<2W
Operation tempereature	0~60 °C	
Storage temperature	-20~ 70 °C	
Relative humidity	0~ 95%(non-condensing)	



Item Number:	41V3-24200	
Title:	HDMI Extender over Cat5e with Power, Working Distance 60 meter	
Drawn by:	JL	
Approved by:	MAC	
ID:	207	