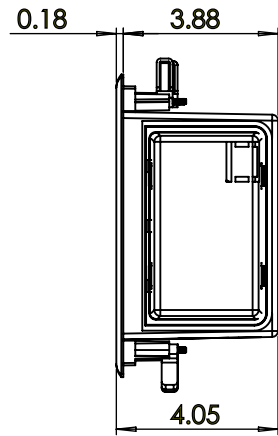
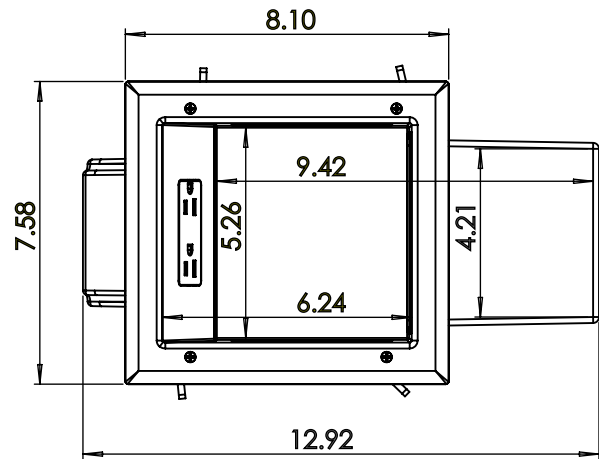
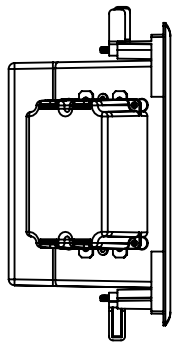
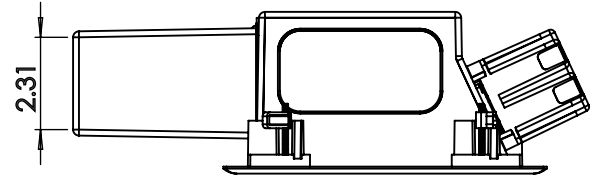
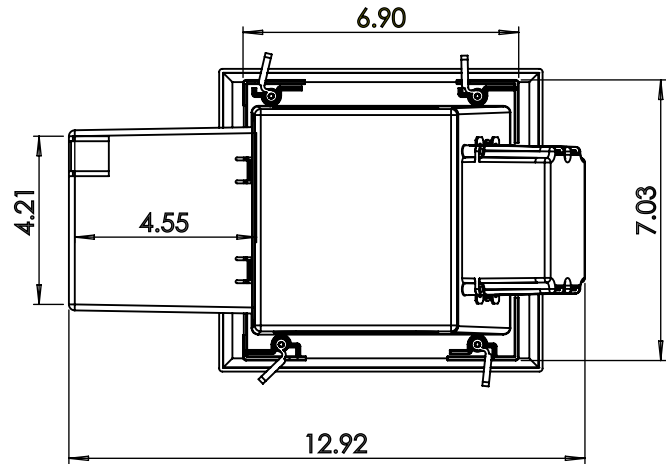
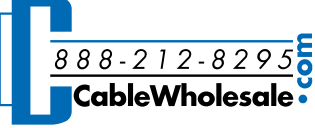


Rev.	Description	Date
A		01-2019

RoHS



Item Number:	45-0052-WH	
Title:	Expandable Media Box with 20 Amp Receptacle, White	
Drawn by:	JL	
Approved by:	MAC	
ID:	304	

1	
No.	Specifications