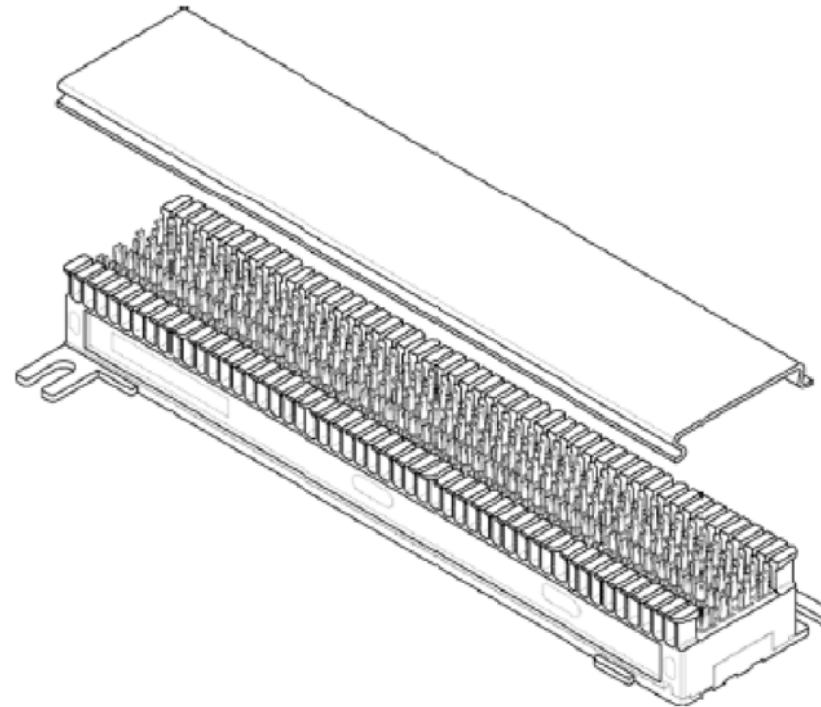


REV.	DESCRIPTION	DATE
A		02-2014

## 25Pair 66 IDC Wiring Block


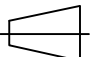
25 Pair Split 66 Type Punch Down Block  
 Hooked Contacts for Smooth Wire Placement  
 Nickel Plating gives a Simple Secure Connection  
 Clear Plastic Cover Fits Securely over Entire Block,  
 Protects Contacts and Allows a Clear vlew of all  
 Connections without Removing Cover  
 High- Impact PVC Construction



## 25-Pair Split 66 Type Block

2-1/8" (W) x 10" (H) x 1-1/8"(D)

RoHS

ITEM NUMBER	50X1-02566			DRAWER	JL
TITLE	66 Punch Down Block			CHECKED	
				APPROVED	
MATERIAL		SCALE			
REV.	A	UNIT	INCH		
DRAWING NO:				