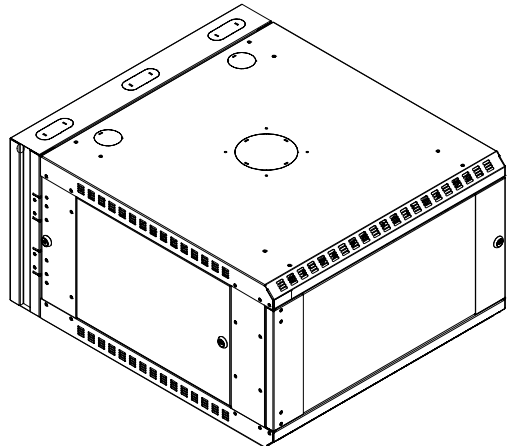
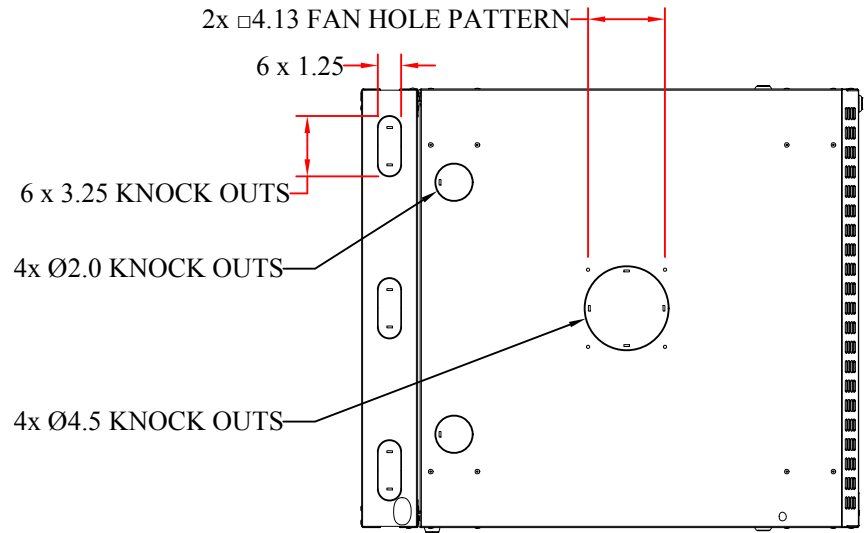
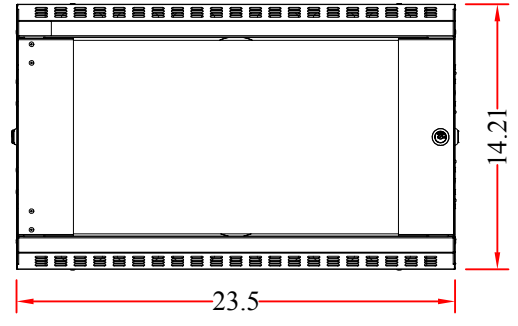
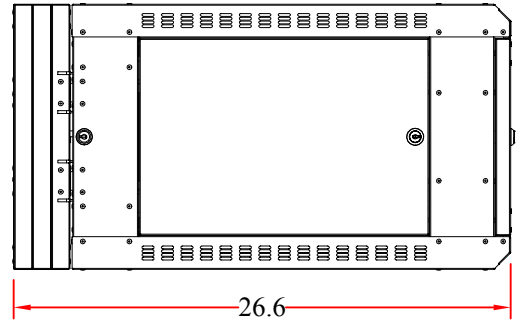
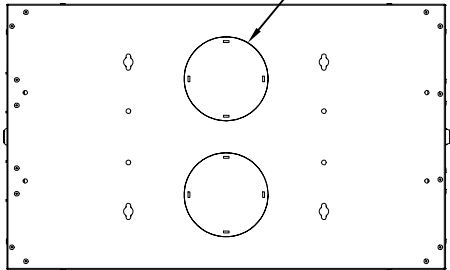


REV.	DESCRIPTION	DATE
A		12-2013



4x Ø4.50 KNOCK OUTS



RoHS

ITEM NUMBER	61C2-11106			DRAWER	JL
TITLE	Rackmount Swing Out Wall Mount Cabinet, 6U			CHECKED	
MATERIAL		SCALE		APPROVED	
REV.	A	UNIT	INCH		
DRAWING NO:				 888-212-8295.com	