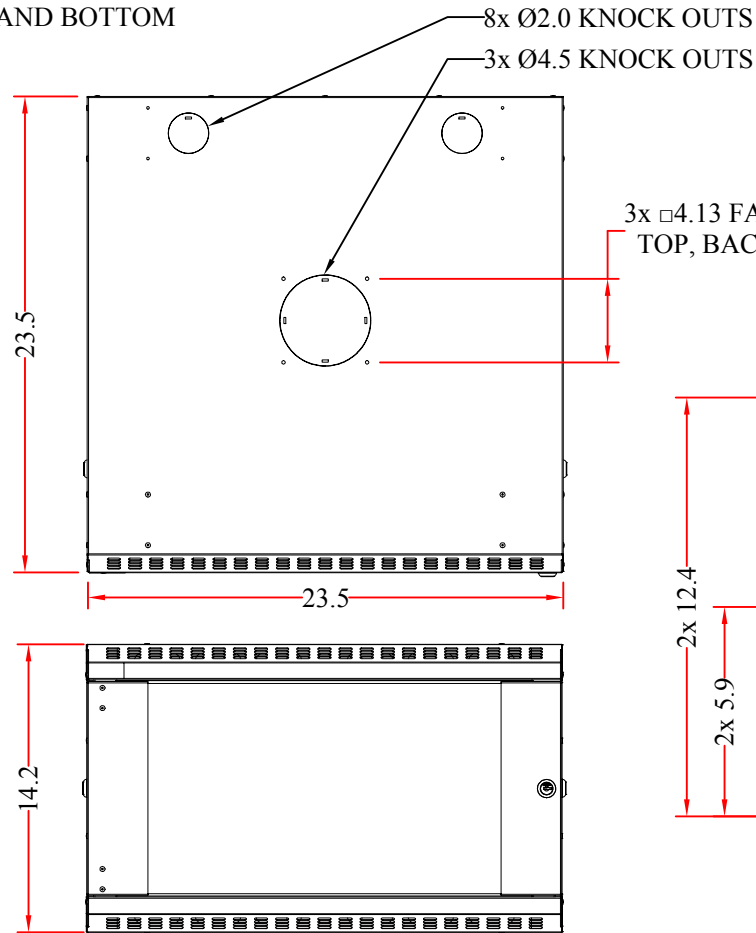
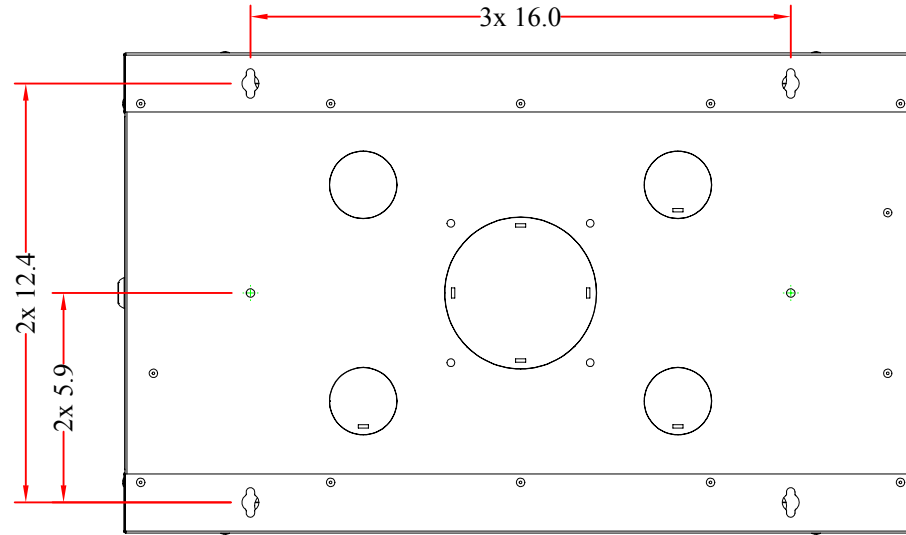


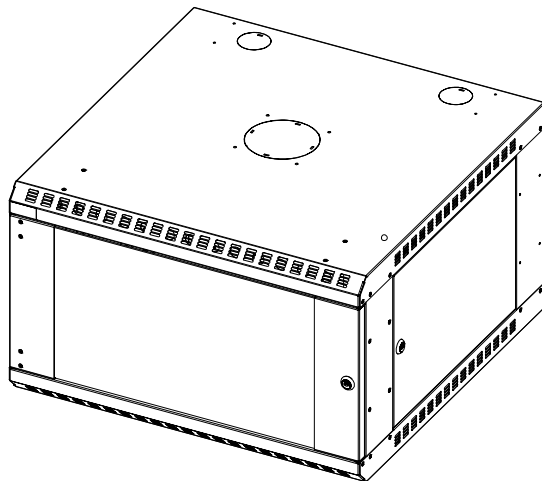
IDENTICAL TOP AND BOTTOM



3x 4.13 FAN HOLE PATTERN
TOP, BACK, AND BOTTOM

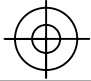
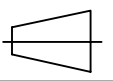


BACK
SCALE 1:6



REV.	DESCRIPTION	DATE
A		12-2013

RoHS

ITEM NUMBER	61C2-11206			DRAWER	JL
TITLE	Rackmount Fixed Wall Mount Cabinet, 6U			CHECKED	
				APPROVED	
MATERIAL		SCALE		 	
REV.	A	UNIT	INCH		
DRAWING NO:				