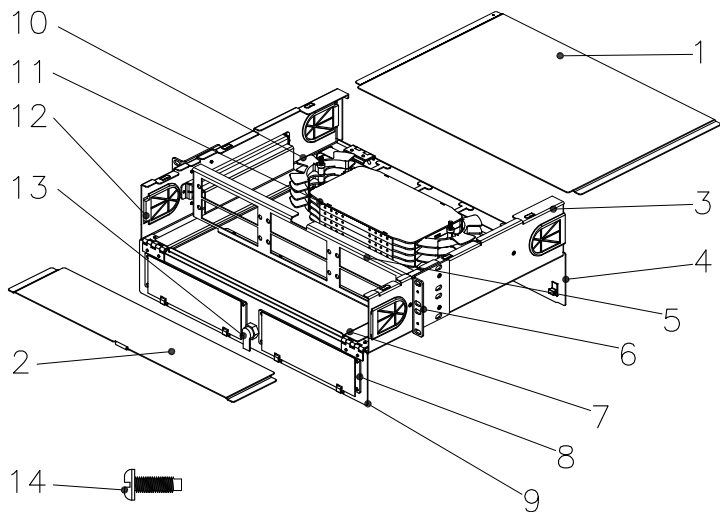


Rev.	Description	Date
A		11-2018



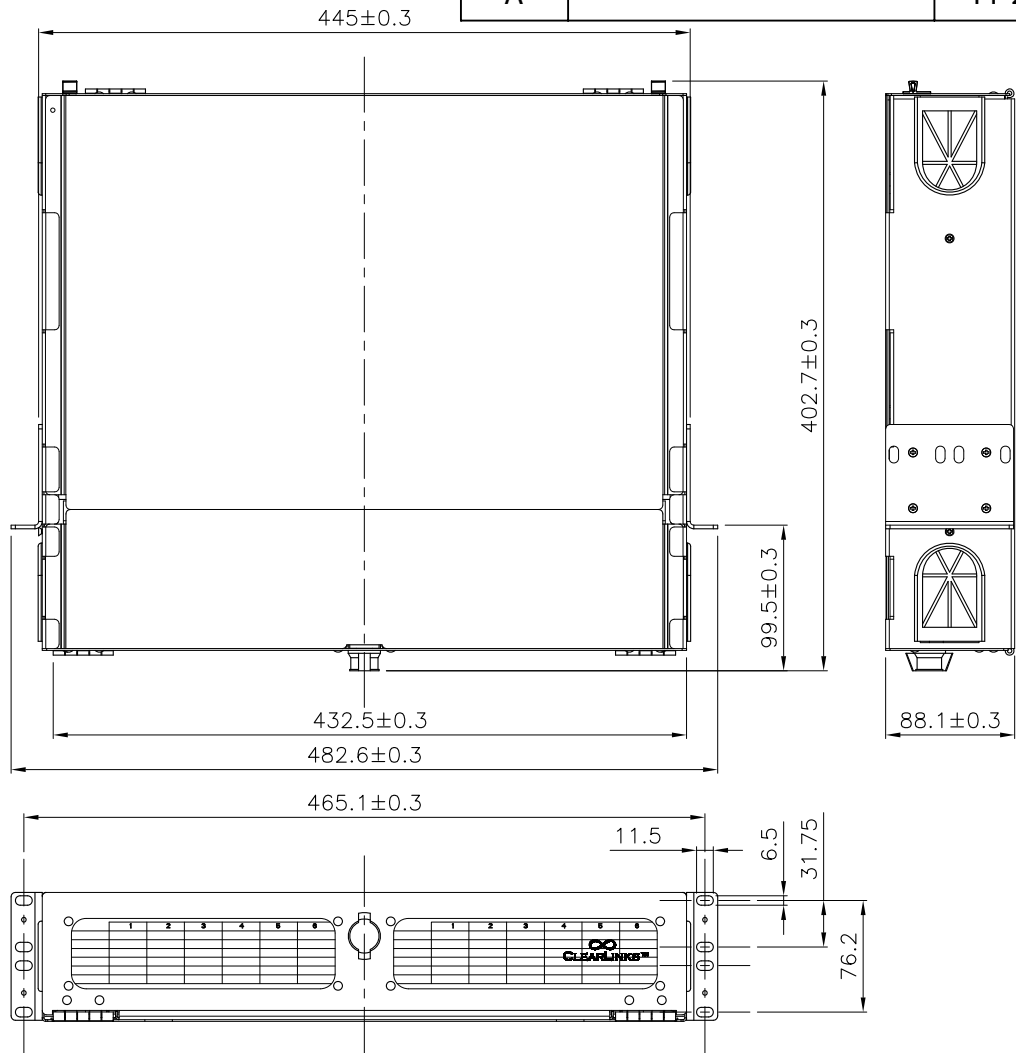
SCALE 1/10

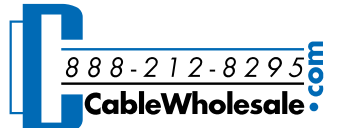
Material:

1. Side Cover #1: SPCC ,1.2mm Thickness, Black(RAL9005) Color.
2. Side Cover #2: SPCC ,1.2mm Thickness, Black(RAL9005) Color.
3. Bottom Panel: SPCC, 1.2mm Thickness, Black(RAL9005) Color.
4. Rear Panel: SPCC, 1.2mm Thickness, Black(RAL9005) Color.
5. Middle Cover : SPCC, 1.2mm Thickness, Black(RAL9005) Color.
6. ledger Plate: SPCC, 2.5mm Thickness, Black(RAL9005) Color.
7. Slide Cray: SPCC, 1.2mm Thickness, Black(RAL9005) Color.
8. Transparent Cover: PC, 2.0mm, Transparent Color.
9. Front Panel: SPCC, 1.2mm Thickness, Black(RAL9005) Color.
10. Spool Cable Routing: ABS, 4 Sets, Ivory Color.
11. Splice Tray: PC/ABS, 4 Sets, Black Color.
12. Dust Cover: PVC 50P, 4 Pcs, Black Color.
13. Latch: 1 Pcs, Black Color.
14. Scres: 4 Pcs, #12-24 UNC x 5/8 Black Oxide, Pan Head.

Performance:

- a. Dimension: 19.0" x 15.85" x 3.47"
(482.6 x 402.7 x 88.1mm)
- b. Weight: 7.5kg



Item Number:	61F1-02000	
Title:	Fiber Distribution Panel Enclosure, Rack Mount, 2RU, 6 Plate/Cassette Openings	
Drawn by:	JL	
Approved by:	MAC	
ID:	182	

No.	Specifications
-----	----------------