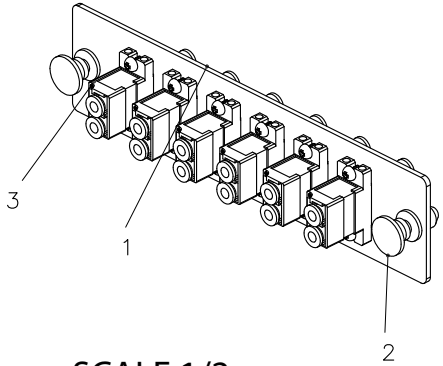
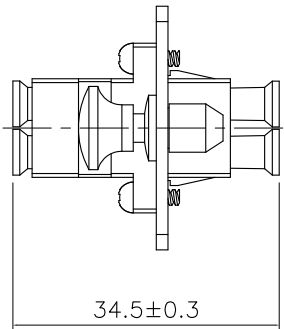
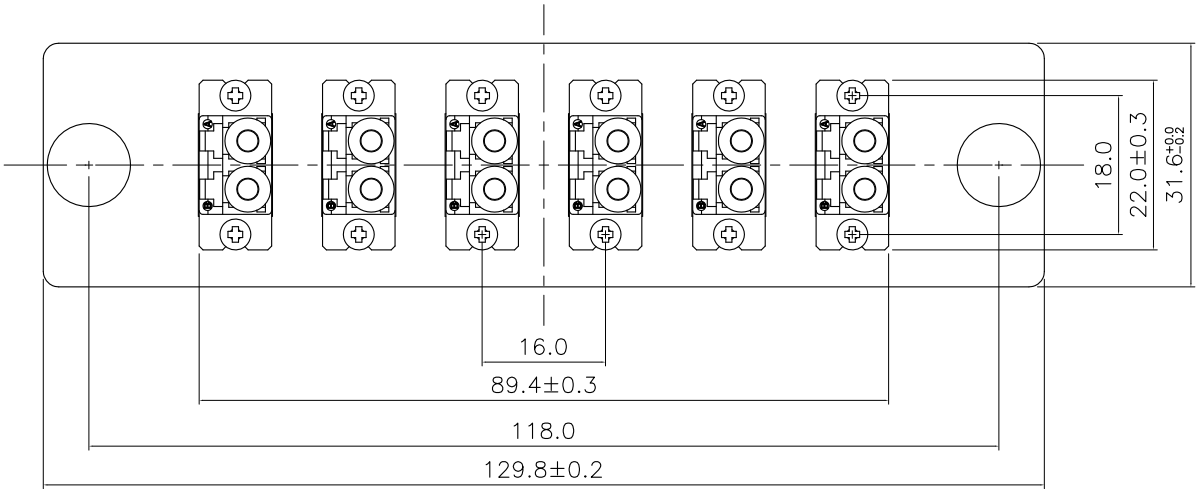


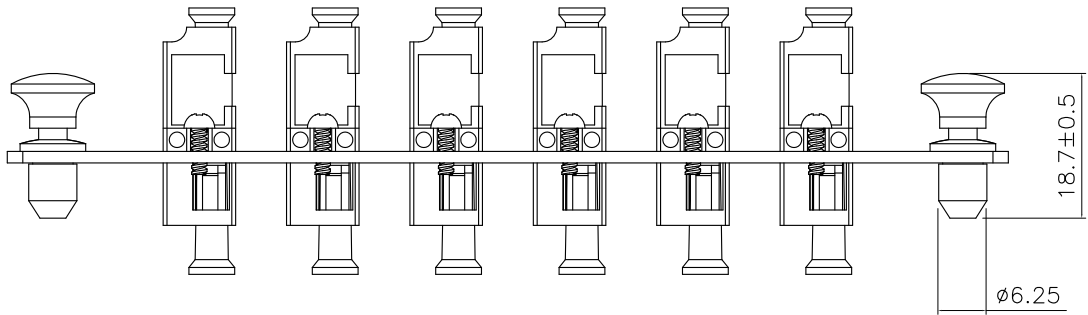
Rev.	Description	Date
A		11-2018



SCALE 1/2



RoHS



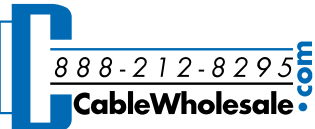
**Specification**

**Material:**

1. Panel : SPCC ,1.5mm Thickness with Black(RAL 9005) Color Painted.
2. Accessory: 2 Pcs, Snap Rivet, Male Nylon/Female PC Material, Black Color.
3. Adaptor: 6 Pcs, LC Duplex Type, Singlemode Zr. Sleeve, Blue Color.

**Performance:**

- a. Dimension: 5.11" x 1.24" x 1.36"  
(129.8 x 31.6x 34.5mm)
- b. Weight: 0.060kg

Item Number:	61F2-11006	
Title:	Fiber Distribution Panel Plates, LC/UPC-Multi Mode OM3, Duplex, 6 Pack	
Drawn by:	JL	
Approved by:	MAC	
ID:	182	

No.	Specifications
-----	----------------