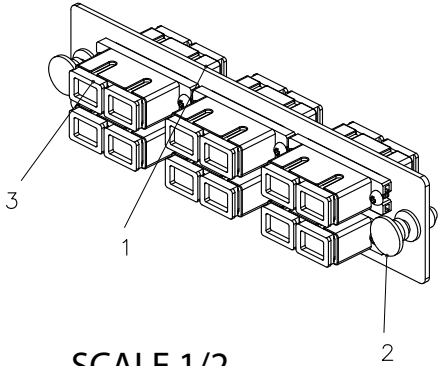
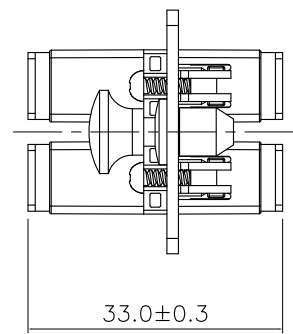
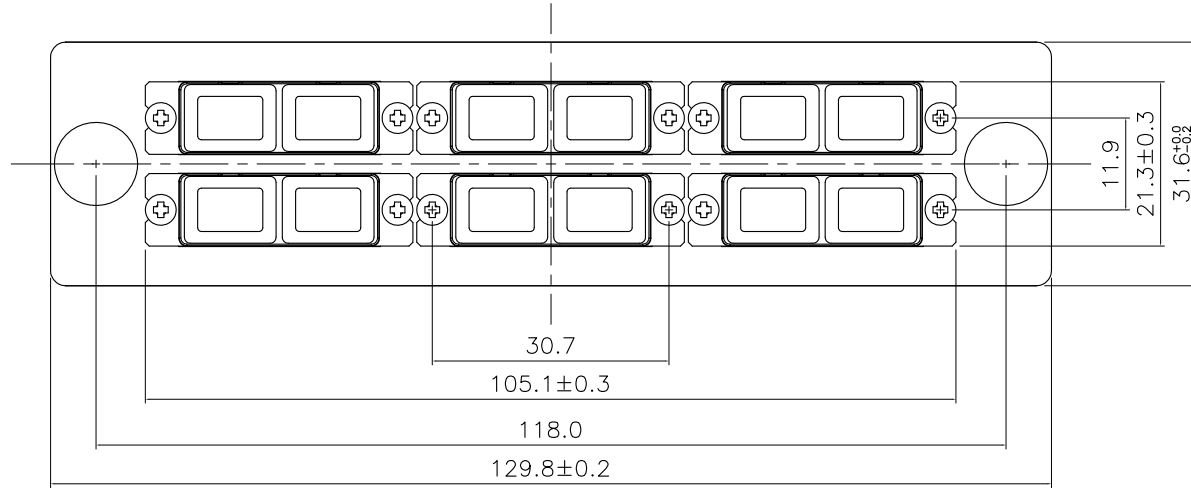


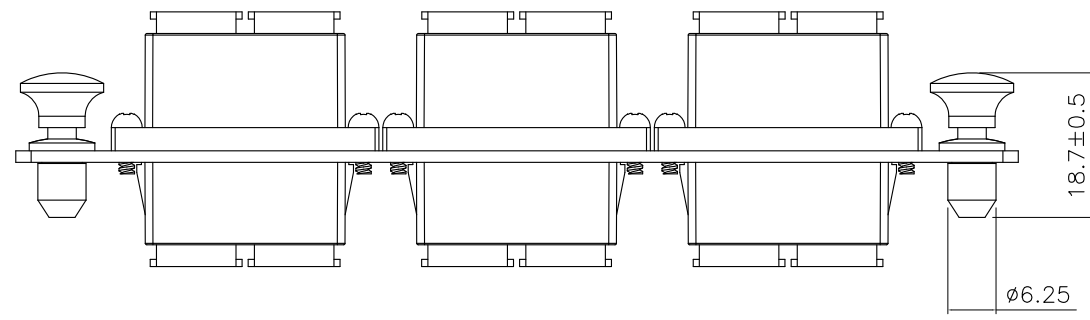
Rev.	Description	Date
A		11-2018



SCALE 1/2



RoHS



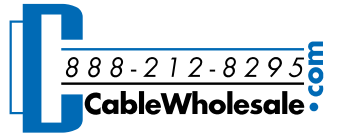
Specification

Material:

- 1. Panel : SPCC ,1.5mm Thickness with Black(RAL 9005) Color Painted.
- 2. Accessory: 2 Pcs, Snap Rivet, Male Nylon/Female PC Material, Black Color.
- 3. Adaptor: 6 Pcs, SC Duplex Type, Singlemode Zr. Sleeve, Blue Color.

Performance:

- a. Dimension: 5.11" x 1.24" x 1.30"
(129.8 x 31.6 x 33.0mm)
- b. Weight: 0.065kg

Item Number:	61F2-12006	
Title:	Fiber Distribution Panel Plates, SC/UPC-Multi Mode OM3, Duplex, 6 Pack	
Drawn by:	JL	
Approved by:	MAC	
ID:	182	

No.	Specifications
-----	----------------