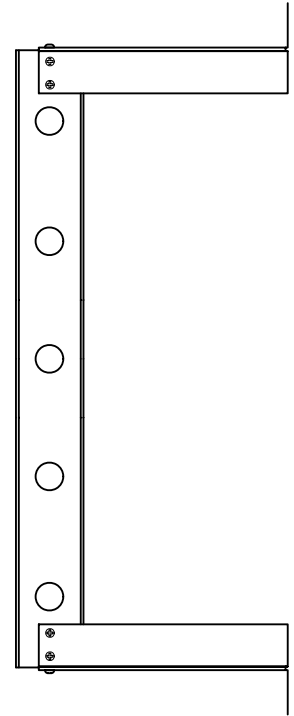
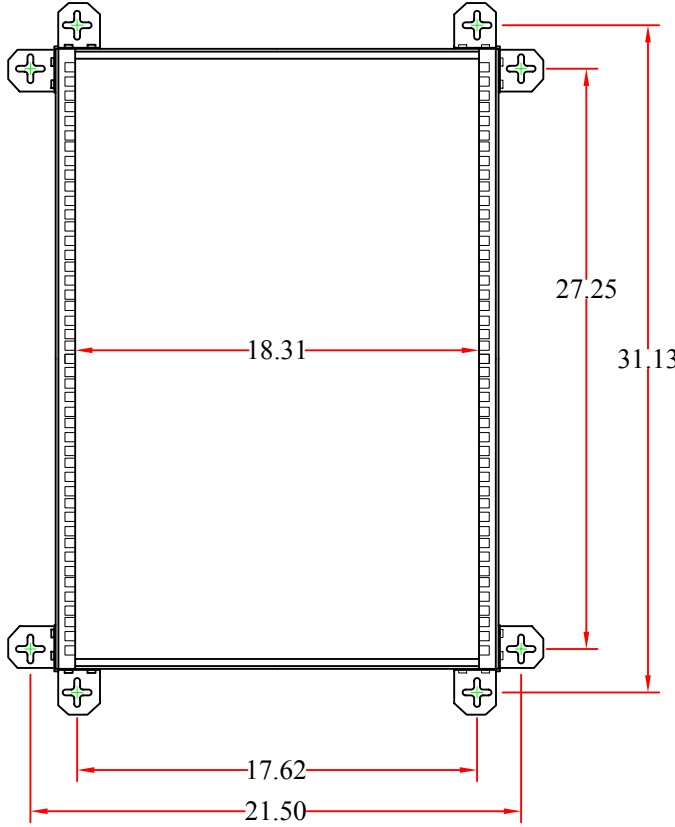
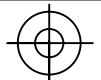
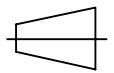


RoHS

REV.	DESCRIPTION	DATE
A		12-2013



ITEM NUMBER	61R1-21216		DRAWER	JL
TITLE	V Line Fixed Wall Rack, 16U		CHECKED	
			APPROVED	
MATERIAL	SCALE		 	
REV.	A	UNIT		INCH
DRAWING NO:			