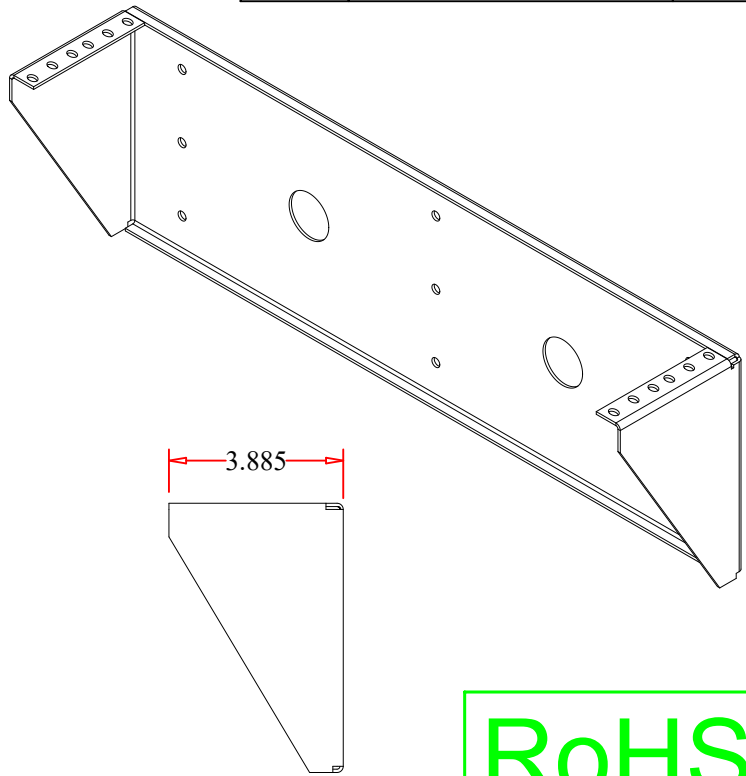
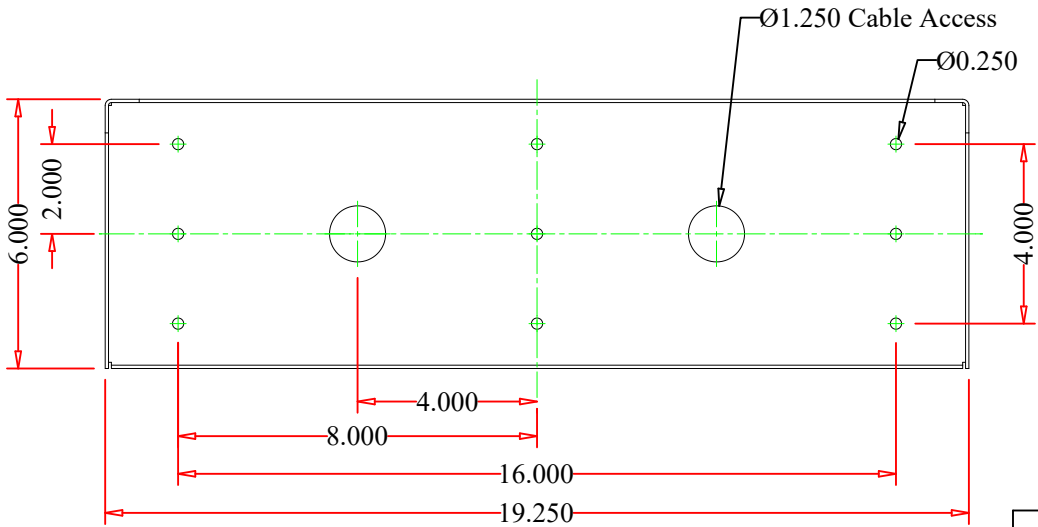
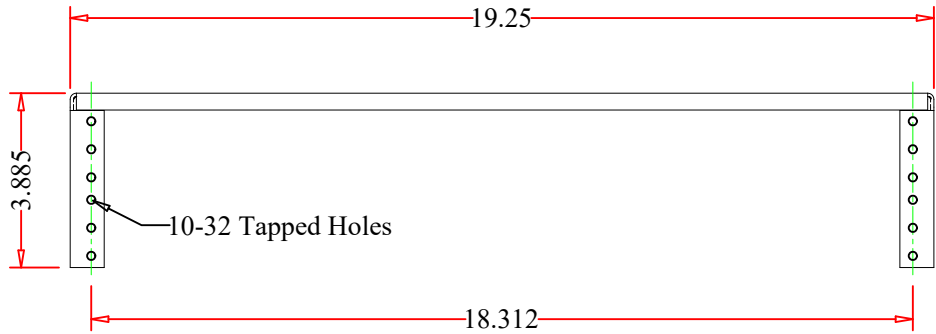
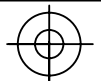
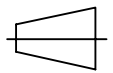
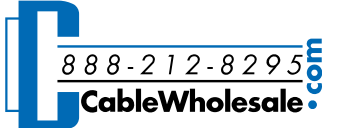


REV.	DESCRIPTION	DATE
A		12-2013
B		02-2016



RoHS

- NOTE:**
1. 19" EIA RACK MOUNT COMPLIANT
 2. RAILS TAKE 10-32 SCREWS
 3. BLACK POWDER COAT

ITEM NUMBER	61R2-24202			DRAWER	JL
TITLE	2U Rackmount, V-Rack Mount			CHECKED	
				APPROVED	
MATERIAL	SCALE		 		
REV.	A	UNIT		INCH	
DRAWING NO:					
ID(NO.)					