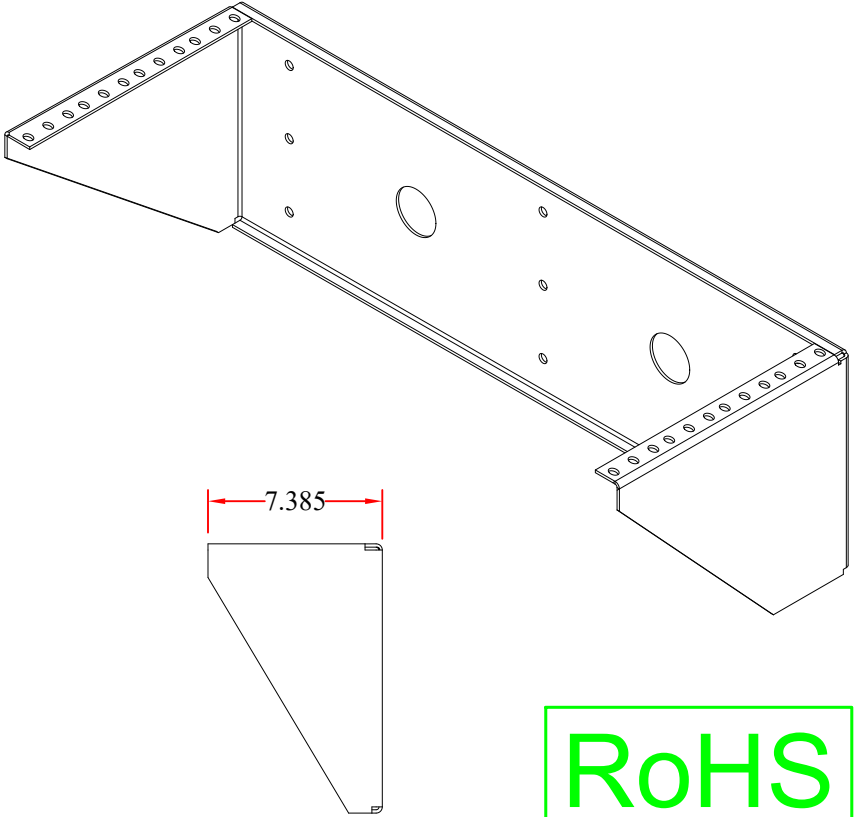
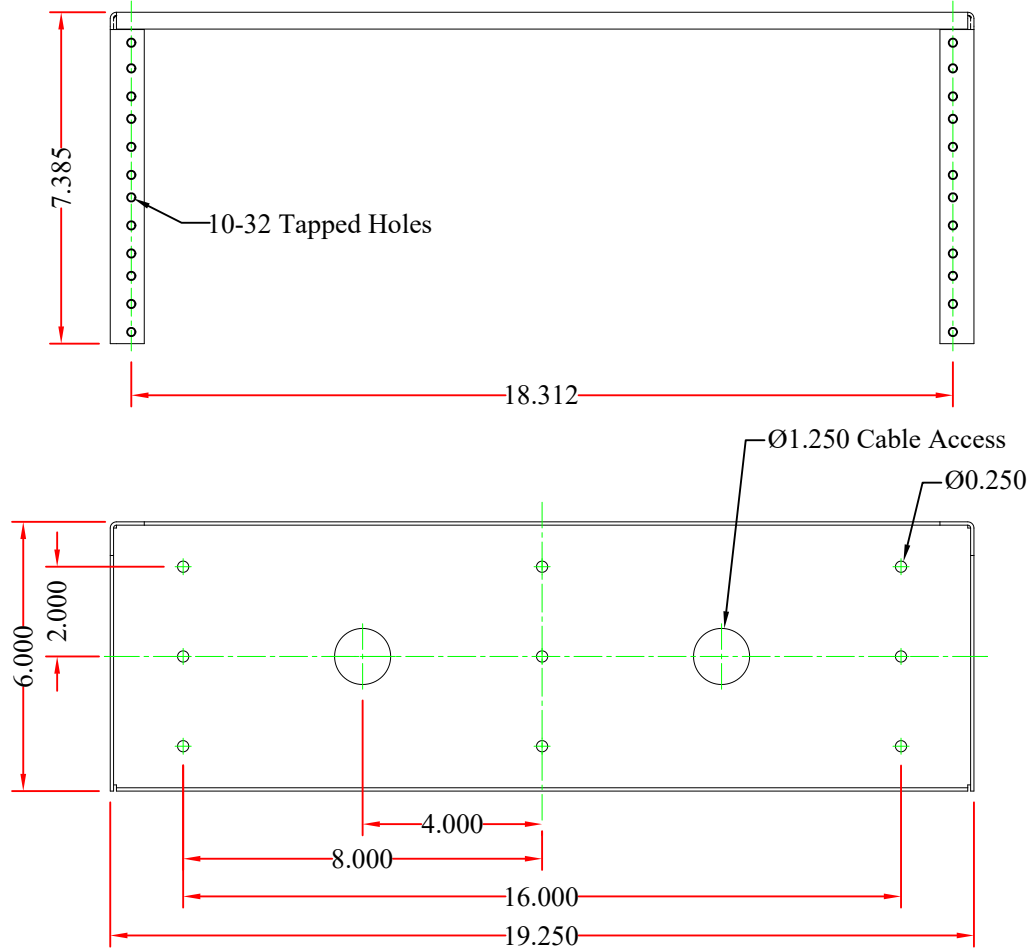


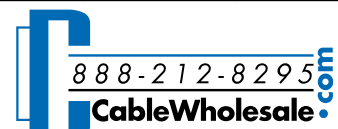


REV.	DESCRIPTION	DATE
A		12-2013
B		02-2016



RoHS

NOTE:
 1. 19" EIA RACK MOUNT COMPLIANT
 2. RAILS TAKE 10-32 SCREWS
 3. BLACK POWDER COAT

ITEM NUMBER	61R2-24204		DRAWER	JL
TITLE	4U Rackmount, V-Rack Mount		CHECKED	
			APPROVED	
MATERIAL	SCALE		 	
REV.	A	UNIT		INCH
DRAWING NO:				
ID(NO.)	196			