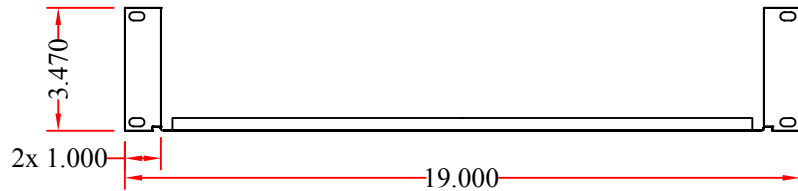
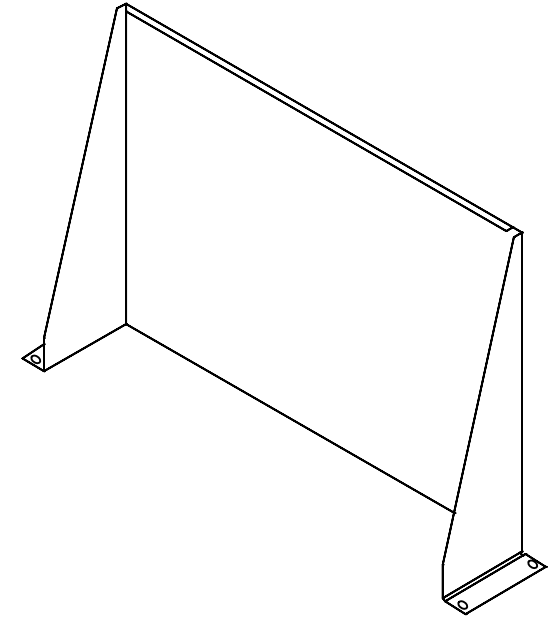
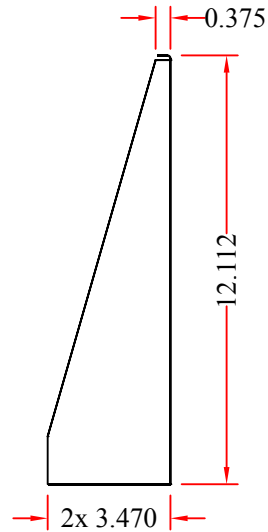
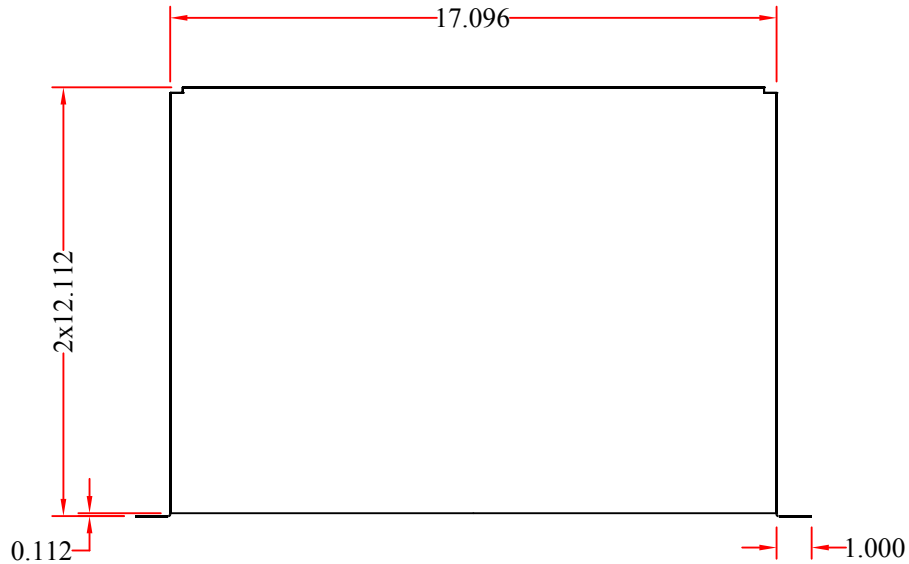

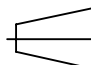


REV.	DESCRIPTION	DATE
A		12-2013



RoHS

ITEM NUMBER	61S1-11102		DRAWER	JL
TITLE	Rackmount Value Line Shelf, 12 inch, 2U		CHECKED	
			APPROVED	
MATERIAL	SCALE		 	
REV.	A	UNIT		INCH
DRAWING NO:			