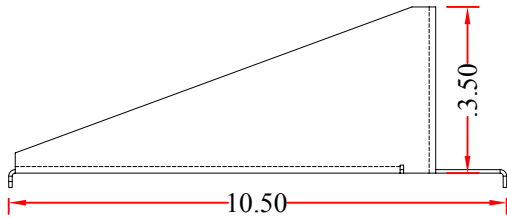
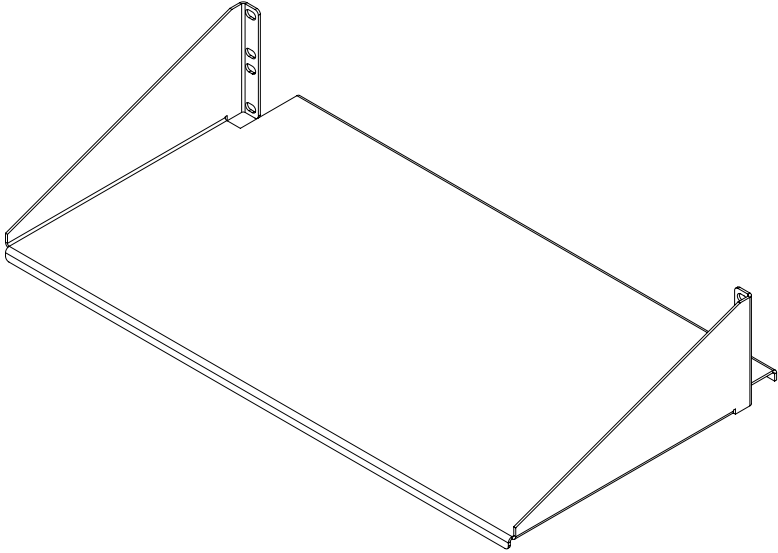
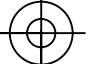
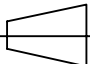


REV.	DESCRIPTION	DATE
A		12-2013



RoHS

ITEM NUMBER	61S2-14101		DRAWER	JL
TITLE	Rackmount Telco Shelf, 2 Piece		CHECKED	
			APPROVED	
MATERIAL	SCALE		 	
REV.	A	UNIT		INCH
DRAWING NO:			