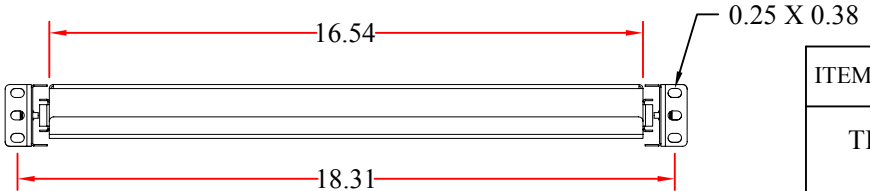
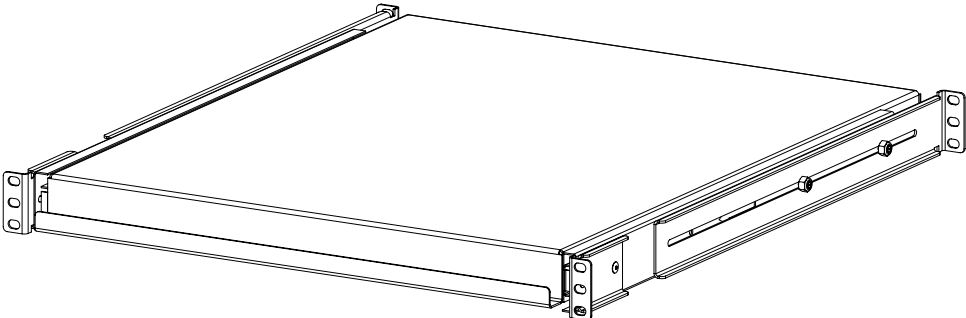
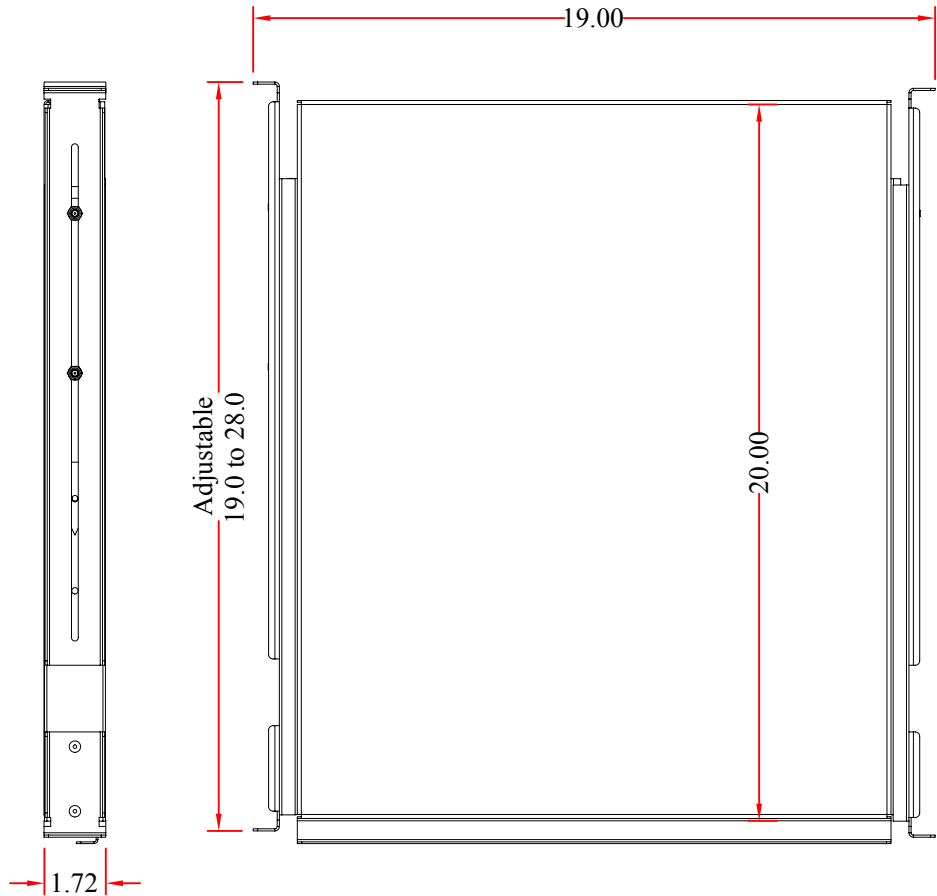


| REV. | DESCRIPTION | DATE    |
|------|-------------|---------|
| A    |             | 12-2013 |
|      |             |         |



**RoHS**

|             |                                  |      |          |      |
|-------------|----------------------------------|------|----------|------|
| ITEM NUMBER | 61S2-17101                       |      | DRAWER   | JL   |
| TITLE       | Rackmount Sliding Shelf, 20 inch |      | CHECKED  |      |
|             |                                  |      | APPROVED |      |
| MATERIAL    | SCALE                            |      |          |      |
| REV.        | A                                | UNIT |          | INCH |
| DRAWING NO: |                                  |      |          |      |
|             |                                  |      |          |      |