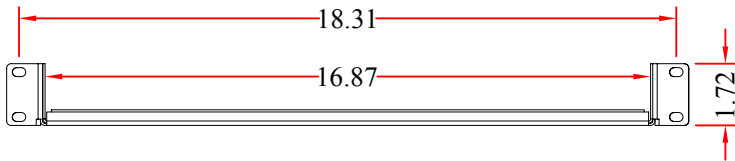
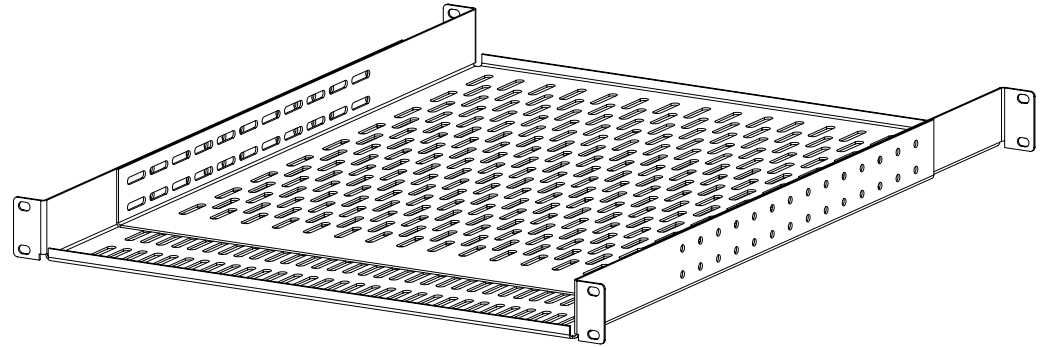
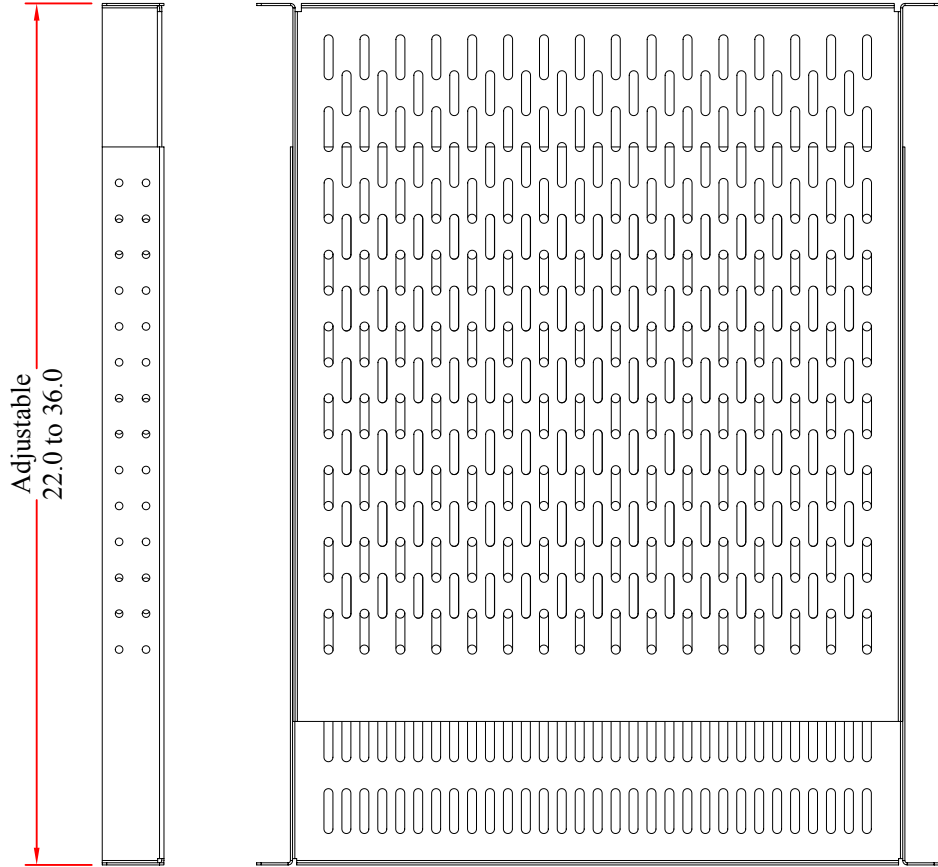
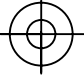
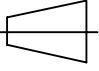


REV.	DESCRIPTION	DATE
A		12-2013



RoHS

ITEM NUMBER	61S2-23101			DRAWER	JL
TITLE	Rackmount Vented 4 Point Adjustable Shelf, 1U			CHECKED	
				APPROVED	
MATERIAL		SCALE			
REV.	A	UNIT	INCH		
DRAWING NO:				