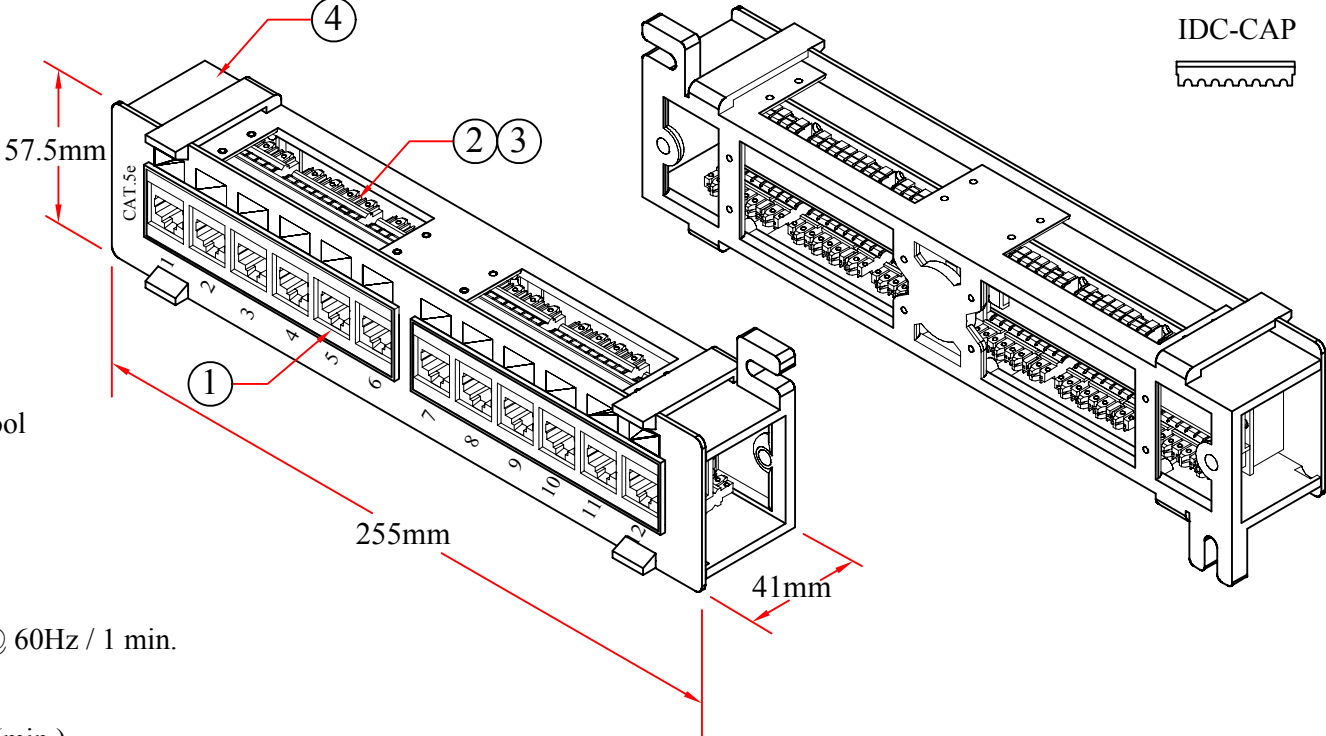


RoHS

REV.	DESCRIPTION	DATE
A		02-2014



Performance:
Meets Cat.5e EIA/TIA 568B Standard

IDC Description: For 22-26 AWG
For 110 or Krone Punch-down Tool

Electrical Specifications:
Insulation Resistance : 500M ohms (min.)
Contact Resistance : 20m ohms (max.)
Current Rating : 1.5 Amps .
DC Resistance : 0.1 ohm (max.)
Withstanding Voltage : 1000 VAC RMS @ 60Hz / 1 min.

Mechanical Specifications:
IDC Punch Down Cycle : Over 25 Cycles (min.)
RJ-45 Jack Insertion Cycle : Over 2000 Cycles (min.)

Operation Temperature : -40 °C ~ +70 °C

4	Panel Metal
3	UL94 V-0 Approval PCB
2	IDC Body:Fireproof ABS UL-94V0,Pin:Bronze &Tinned
1	RJ45 Jack, 50u Gold Plated Contacts
NO.	SPECIFICATIONS
	BOM LIST

ITEM NUMBER	68PP-03012-10			DRAWER	JL
TITLE	CAT5E Patch Panel, Horizontal, 110 Type, 12 Port, 10" wall mount			CHECKED	
MATERIAL		SCALE		APPROVED	
REV.	A	UNIT	MM		
DRAWING NO:				 888-212-8295	