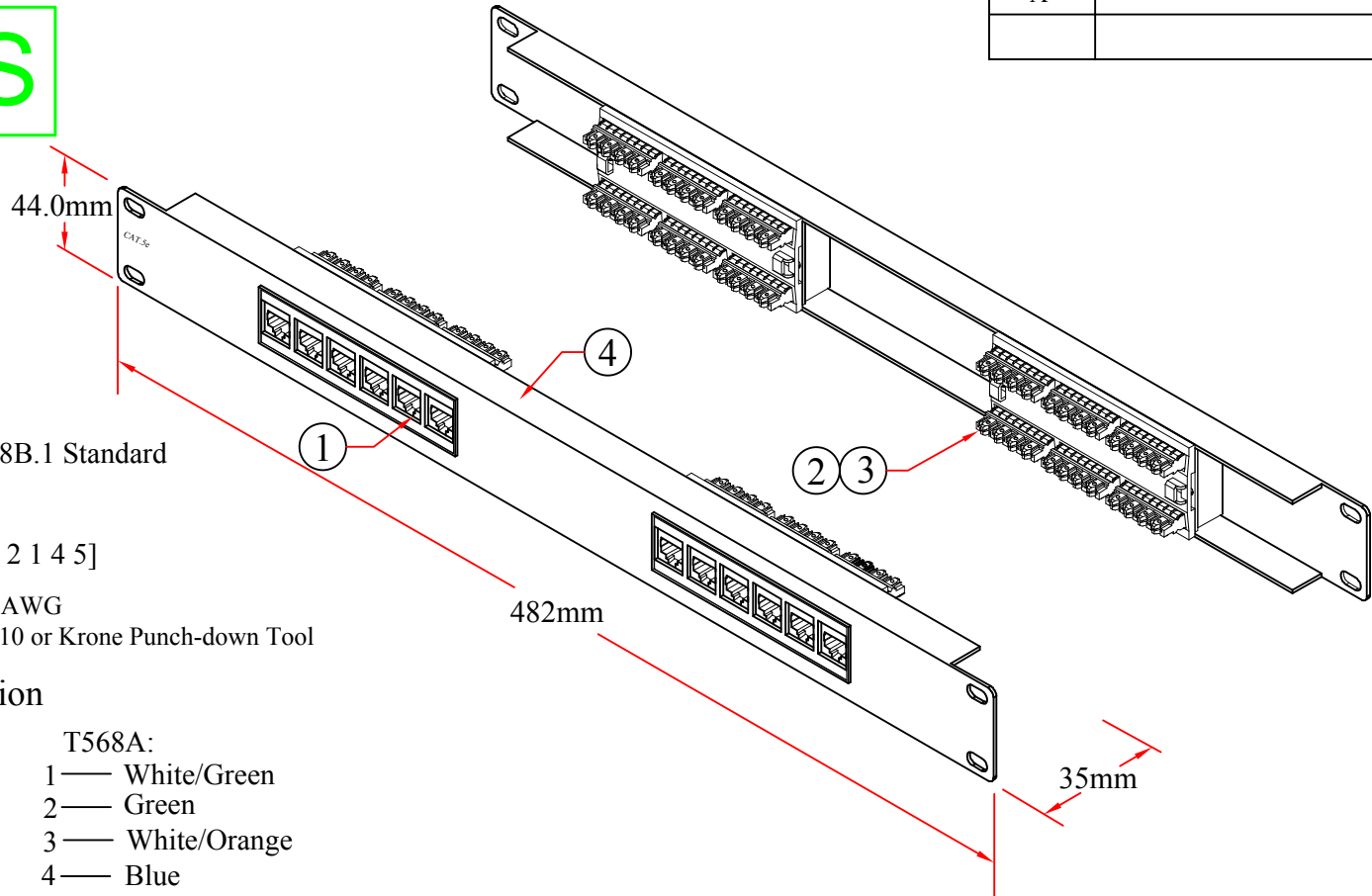


RoHS

| REV. | DESCRIPTION | DATE |
|------|-------------|---------|
| A | | 01-2013 |
| | | |



Performance:

Meets Cat.5e EIA/TIA 568B.1 Standard

Label Color Code:

T568A/B[Arrange:8 7 6 3 2 1 4 5]

IDC Specification: 22-26AWG

For 110 or Krone Punch-down Tool

Color coding information

- | | |
|------------------|------------------|
| T568B: | T568A: |
| 1 — White/Orange | 1 — White/Green |
| 2 — Orange | 2 — Green |
| 3 — White/Green | 3 — White/Orange |
| 4 — Blue | 4 — Blue |
| 5 — White/Blue | 5 — White/Blue |
| 6 — Green | 6 — Orange |
| 7 — White/Brown | 7 — White/Brown |
| 8 — Brown | 8 — Brown |

| | |
|-----|---|
| 4 | Panel Metal |
| 3 | UL94 V-0 Approval PCB |
| 2 | IDC Body:Fireproof ABS UL-94V0,Pin:Bronze &Tinned |
| 1 | RJ45 Jack, 50u Gold Plated Contacts |
| NO. | SPECIFICATIONS |
| | BOM LIST |

| | | | | | |
|-------------|---|-------|----|----------|----|
| ITEM NUMBER | 68PP-03012 | | | DRAWER | JL |
| TITLE | Rackmount 12 Port Cat 5e Patch Panel, 12 Port, Horizontal, 110 Type, 568A & 568B Compatible | | | CHECKED | |
| MATERIAL | | SCALE | | APPROVED | |
| REV. | A | UNIT | MM | | |
| DRAWING NO: | | | | | |
| | | | | | |