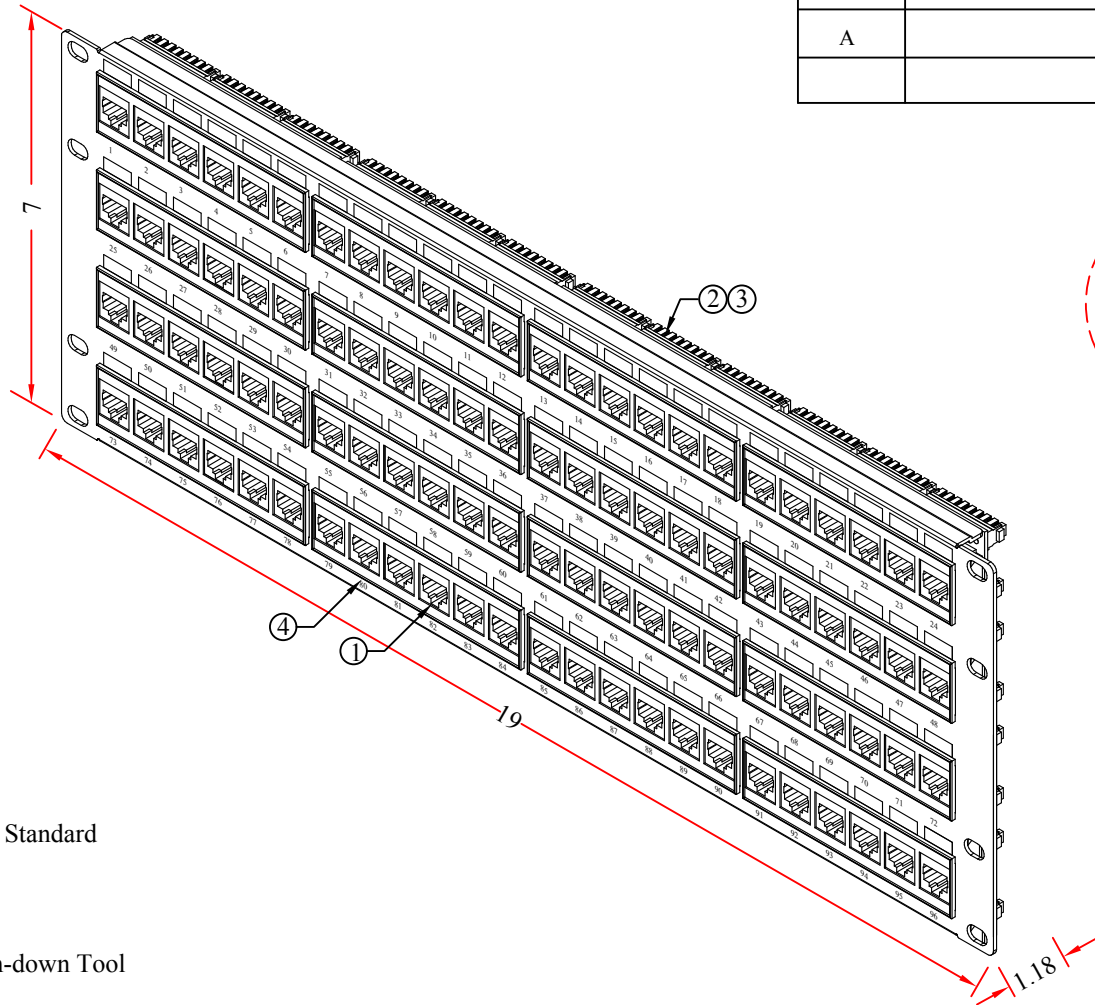


| REV. | DESCRIPTION | DATE |
|------|-------------|---------|
| A | | 03-2012 |
| | | |

RoHS



Performance: Meets Cat.5e EIA/TIA 568B.1 Standard

IDC Specification: 22-26AWG
For 110 or Krone Punch-down Tool

Label Color Code: T568 A/B

| | | | | | |
|-------------|---|-------|------|----------|----|
| ITEM NUMBER | 68PP-03096 | | | DRAWER | JL |
| TITLE | CAT5E Patch Panel, Horizontal, 110 Type, 96 Port, 19" Rackmount | | | CHECKED | |
| | | | | APPROVED | |
| MATERIAL | | SCALE | | | |
| REV. | A | UNIT | INCH | | |
| DRAWING NO: | | | | | |
| | | | | | |

| NO. | SPECIFICATIONS |
|----------|--|
| 4 | Panel Metal(SPCC) |
| 3 | UL94 V-0 Approval PCB |
| 2 | IDC Body:Fireproof ABS UL-94V0,Pin:Bronze & Tinned |
| 1 | RJ45 Jack, 50u Gold Plated Contacts |
| BOM LIST | |